

VS50P3

Sink material Stainless steel
 Type Welded bowl
 No. of bowls 1
 EAN code 8017709236403



Aesthetics



Aesthetic Universale
 Series Alba
 Colour Stainless steel
 Finishing Brushed
 Building in type Standard
 Logo Embossed
 Tap hole / precut tap hole 2 Tapholes

	Bowl type	Bowl dimensions, WxDxH (mm)	Bowl depth (mm)	Radius corner bowl	Overflow	Strainer position	Strainer dimension
Bowl	Traditional	500 x 400 x 200	200	80	Yes, traditional	Wall position	3.5"

Technical Features

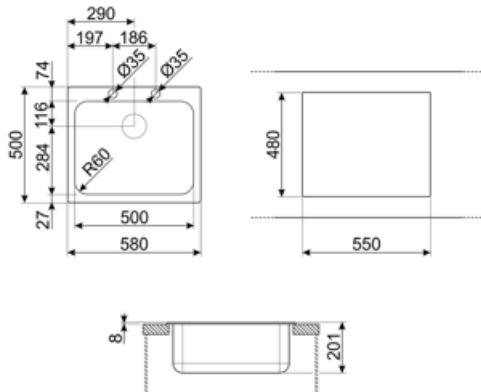


Dimensions of the product (mm) 210x580x500 mm
 Cutout dimension topmount (mm) 550 X 480 mm
 Height from kitchen top 8 mm
 Base unit size 60 cm
 Tap hole 2
 Tap hole diameter 35 mm
 Popup command Yes, single
 Popup command type Round
 Gasket type Sealing paste
 No. of clips 10
 Type of clips Standard

Accessories Included

Accessories for
installation

Strainer, Savespace siphon
with dishwasher outlet
connection, Fixing clips,
Gasket, Automatic pop - up
with roudn rotary control



Not included accessories



KITFD050

Waste disposal 0,5 HP, Motor: 1/2 horsepower, Fits all sinks with 3 1/2" waste outlet



KITFD100

Waste disposal 1 HP, Motor: 1/2 horsepower, Fits all sinks with 3 1/2" waste outlet



STABMIX

Tap stabiliser



KITFD075

Waste disposal 0,75 HP, Motor: 1/2 horsepower, Fits all sinks with 3 1/2" waste outlet



DB34

St/steel drain basket to fit STD radius 340 x 400 bowl, 180 mm depth



3712

Siphon single bowl sinks (dishwasher connection included)



KITSTR


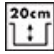

1 Bowl automatic pop up waste kit with rectangular overflow and round knob



CB28QU

Single HPL chopping board for minimum radius, oak, measures 280 x 418 H 12 mm

Symbols glossary (TT)

- | | | | |
|--|--|---|---|
|  | Cupboard width required for sink installation |  | Sink depth - depending on the model, the depth can be from 13 to 24,5 |
|  | Standard installation: Traditional installation in tabletop, suitable for any kitchen sets | | |