

# VSTQ3838

**Sink material** Stainless steel  
**Type** Squared bowl  
**No. of bowls** 2  
**EAN code** 8017709151904



## Aesthetics



**Aesthetic** Universale  
**Series** Quadra  
**Colour** Stainless steel  
**Finishing** Satin  
**Building in type** Undermount  
**Logo** Embossed  
**Tap hole / precut tap hole** No Taphole

	Bowl type RH	Bowl thickness (mm)	Bowl dimensions, WxDxH (mm)	Bowl depth (mm)	Overflow	Strainer position	Strainer dimension
RH Bowl	Squared	1	380 x 400 x 210	210	Yes, traditional	Wall position	3.5"
LH Bowl	Squared	1	380 x 400 x 210	210	Yes, traditional	Wall position	3.5"

## Technical Features

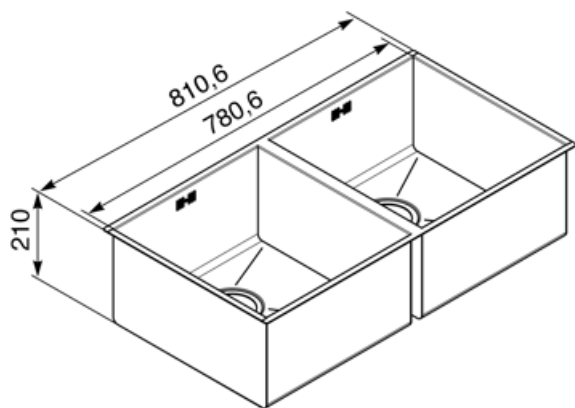
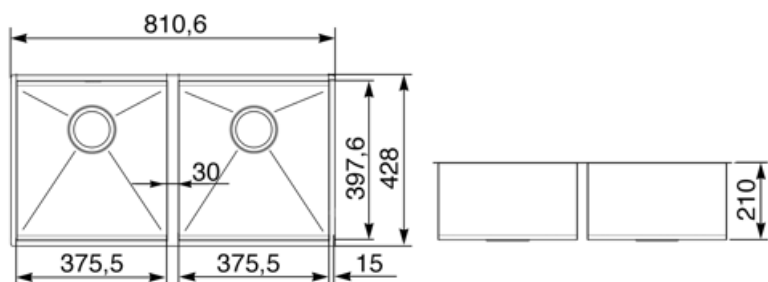


**Frame thickness** 1 mm  
**Dimensions of the product (mm)** 210x811x428 mm  
**Cutout dimension undermount (mm)** vedi dima mm  
**Undermount cutout radius** 5 mm  
**Base unit size** 90 cm  
**Tap hole diameter** 35 mm  
**Dividing wall width** 30 mm  
**No. of clips** 8  
**Type of clips** Undermount clip

## Accessories Included

Accessories for  
installation

Strainer, Savespace siphon  
with dishwasher outlet  
connection, Fixing clips



---

## Compatible Accessories

---



### KITFD050

Waste disposal 0,5 HP, Motor: 1/2 horsepower, Fits all sinks with 3 1/2" waste outlet



### KITFD100

Waste disposal 1 HP, Motor: 1/2 horsepower, Fits all sinks with 3 1/2" waste outlet



### KITFD075

Waste disposal 0,75 HP, Motor: 1/2 horsepower, Fits all sinks with 3 1/2" waste outlet



### RND2V

2 Bowls standard Rondò waste kit with rectangular overflow




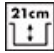

### STABMIX

Tap stabiliser

---

## Symbols glossary

---

- |  |   |   |   |
|--|---|---|---|
|  | Cupboard width required for sink installation   |  | Sink depth - depending on the model, the depth can be from 13 to 24,5 |
|  | Under table top installation: The sink is fixed under tabletop, which extends the work surface and the depth of the sink. |   |   |

---

## Benefit (TT)

---

### Two bowls

Two bowls for greater versatility and dual functionality