

# VSTQ40-2

Sink material	Stainless steel
Sink type	Squared bowl
No. of bowls	1
EAN code	8017709125691



## Aesthetics



<b>Aesthetics</b>	Universal	<b>Building in type</b>	Undermount
<b>Series</b>	Quadra	<b>Logo</b>	Embossed
<b>Colour</b>	Stainless steel	<b>Tap hole / precut tap hole</b>	No Taphole
<b>Finishing</b>	Brushed		

	Bowl type	Bowl dimensions, WxDxH (mm)	Bowl depth (mm)	Overflow	Strainer position	Strainer dimension
Bowl	Squared	400 x 400 x 210	210	Yes, traditional	Wall position	3.5"

## Technical Features

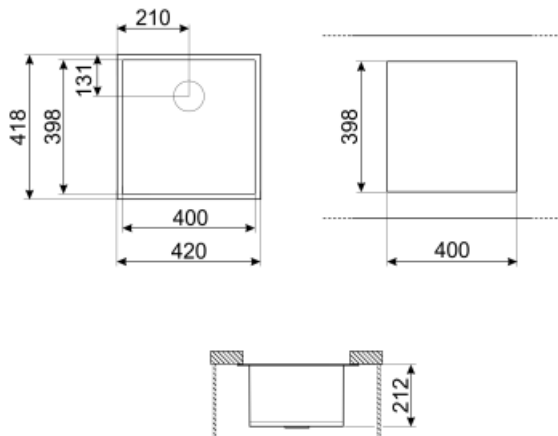


<b>Dimensions of the product WxDxH (mm)</b>	210x420x418 mm	<b>Tap hole diameter</b>	35 mm
<b>Cutout dimension undermount (mm)</b>	398*400 mm	<b>No. of clips</b>	6
<b>Cutout radius</b>	5 mm	<b>Type of clips</b>	Undermount clip
<b>Base unit size</b>	45 cm		

## Accessories Included

Accessories for  
installation

Strainer, Siphon with  
dishwasher outlet  
connection, Fixing clips



---

## Not included accessories

---



### RND1V

Rondò waste kit 1 bowl with standard overflow



### KITFD100

Waste disposal 1 HP Motor: 1 horsepower Fits all sinks with 3 1/2" waste outlet



### KITFD050

Waste disposal 0,5 HP Motor: 1/2 horsepower Fits all sinks with 3 1/2" waste outlet



### 3712

Siphon single bowl sinks (dishwasher connection included)



### KITFD075

Waste disposal 0,75 HP Motor: 3/4 horsepower Fits all sinks with 3 1/2" waste outlet



### 3713

Siphon double bowls sinks (dishwasher connection included)



### VSH20Q

COLANDER SQUARE SINKS

---

## Symbols glossary

---



Cupboard width required for sink installation



Sink depth - depending on the model, the depth can be from 13 to 24,5



Under table top installation: The sink is fixed under tabletop, which extends the work surface and the depth of the sink.