

VSTQ40-2

Sink material	Stainless steel
Type	Squared bowl
No. of bowls	1
EAN code	8017709125691



Aesthetics



Aesthetic	Universale	Building in type	Undermount
Series	Quadra	Logo	Embossed
Colour	Stainless steel	Tap hole / precut tap hole	No Taphole
Finishing	Brushed		

	Bowl type	Bowl dimensions, WxDxH (mm)	Bowl depth (mm)	Overflow	Strainer position	Strainer dimension
Bowl	Squared	400 x 400 x 210	210	Yes, traditional	Wall position	3.5"

Technical Features

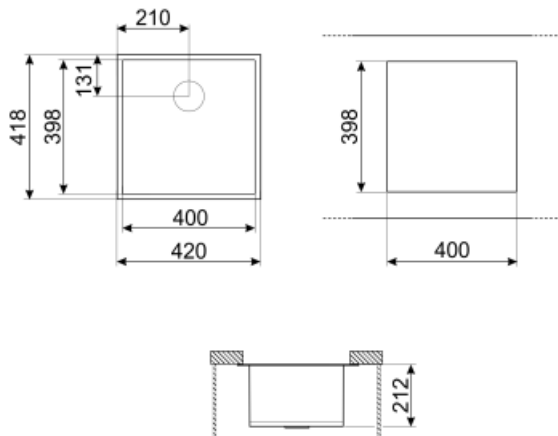


Dimensions of the product (mm)	210x420x418 mm	Tap hole diameter	35 mm
Cutout dimension undermount (mm)	398*400 mm	No. of clips	6
Undermount cutout radius	5 mm	Type of clips	Undermount clip
Base unit size	45 cm		

Accessories Included

Accessories for
installation

Strainer, Savespace siphon
with dishwasher outlet
connection, Fixing clips



Not included accessories



RND1V

Rondò waste kit 1 bowl with standard overflow



KITFD100

Waste disposal 1 HP, Motor: 1/2 horsepower, Fits all sinks with 3 1/2" waste outlet



3713

Siphon double bowls sinks (dishwasher connection included)



VSH20Q

Colander for square sinks radius 0 204 x 438 x 118 mm



KITFD050

Waste disposal 0,5 HP, Motor: 1/2 horsepower, Fits all sinks with 3 1/2" waste outlet



3712


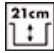

Siphon single bowl sinks (dishwasher connection included)



KITFD075

Waste disposal 0,75 HP, Motor: 1/2 horsepower, Fits all sinks with 3 1/2" waste outlet

Symbols glossary (TT)

- | | | | |
|--|---|---|---|
|  | Cupboard width required for sink installation |  | Sink depth - depending on the model, the depth can be from 13 to 24,5 |
|  | Under table top installation: The sink is fixed under tabletop, which extends the work surface and the depth of the sink. | | |