

VSTQ50-2

Sink material	Stainless steel
Sink type	Squared bowl
No. of bowls	1
EAN code	8017709127732



Aesthetics



Aesthetics	Universal	Finishing	Brushed
Series	Quadra	Building in type	Undermount
Colour	Stainless steel	Logo	Embossed

	Bowl type	Bowl dimensions, WxDxH (mm)	Bowl depth (mm)	Overflow	Strainer position	Strainer dimension
Bowl	Squared	500 x 400 x 210	210	Yes, traditional	Wall position	3.5"

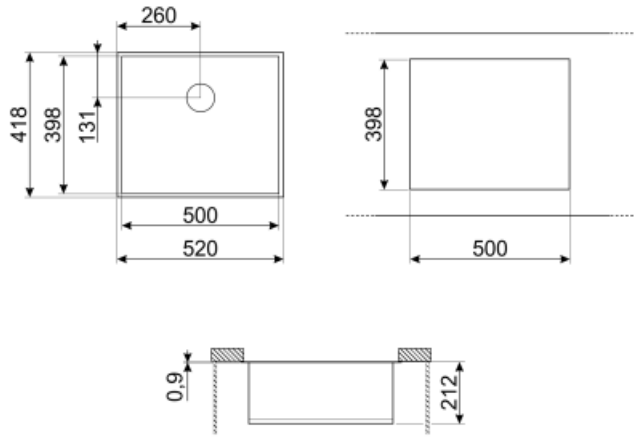
Technical Features



Dimensions of the product WxDxH (mm)	210x520x418 mm	Gasket type	Sealing paste
Cutout dimension undermount (mm)	398*500 mm	No. of clips	6
Base unit size	60 cm	Type of clips	Undermount clip
Tap hole diameter	35 mm		

Accessories Included

Accessories for installation	Strainer, Siphon with dishwasher outlet connection, Fixing clips
-------------------------------------	--



Not included accessories



RND1V

Rondò waste kit 1 bowl with standard overflow



KITFD100

Waste disposal 1 HP Motor: 1 horsepower Fits all sinks with 3 1/2" waste outlet



KITFD050

Waste disposal 0,5 HP Motor: 1/2 horsepower Fits all sinks with 3 1/2" waste outlet



3712

Siphon single bowl sinks (dishwasher connection included)



3713

Siphon double bowls sinks (dishwasher connection included)



KITFD075

Waste disposal 0,75 HP Motor: 3/4 horsepower Fits all sinks with 3 1/2" waste outlet



VSH20Q

COLANDER SQUARE SINKS

Symbols glossary



Cupboard width required for sink installation



Sink depth - depending on the model, the depth can be from 13 to 24,5



Under table top installation: The sink is fixed under tabletop, which extends the work surface and the depth of the sink.