

# VSTQ50-2

**Sink material** Stainless steel  
**Type** Squared bowl  
**No. of bowls** 1  
**EAN code** 8017709127732



## Aesthetics



**Aesthetic** Universale  
**Series** Quadra  
**Colour** Stainless steel  
**Finishing** Brushed  
**Building in type** Undermount  
**Logo** Embossed

	Bowl type	Bowl dimensions, WxDxH (mm)	Bowl depth (mm)	Overflow	Strainer position	Strainer dimension
Bowl	Squared	500 x 400 x 210	210	Yes, traditional	Wall position	3.5"

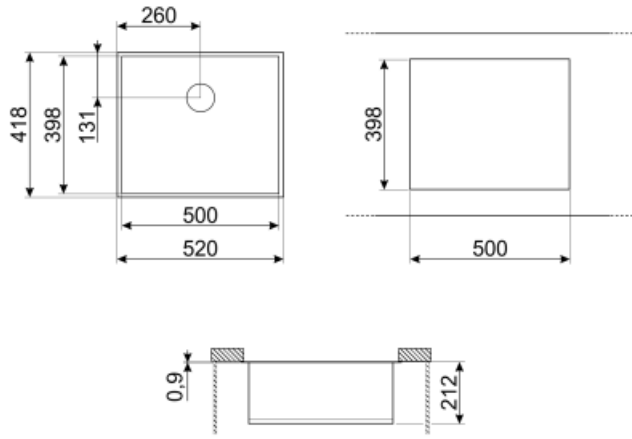
## Technical Features



**Dimensions of the product (mm)** 210x520x418 mm  
**Cutout dimension undermount (mm)** 398\*500 mm  
**Base unit size** 60 cm  
**Tap hole diameter** 35 mm  
**Gasket type** Sealing paste  
**No. of clips** 6  
**Type of clips** Undermount clip

## Accessories Included

**Accessories for installation** Strainer, Savespace siphon with dishwasher outlet connection, Fixing clips



---

## Not included accessories

---



### RND1V

Rondò waste kit 1 bowl with standard overflow



### KITFD100

Waste disposal 1 HP, Motor: 1/2 horsepower, Fits all sinks with 3 1/2" waste outlet



### 3713

Siphon double bowls sinks (dishwasher connection included)



### VSH20Q

Colander for square sinks radius 0 204 x 438 x 118 mm



### KITFD050

Waste disposal 0,5 HP, Motor: 1/2 horsepower, Fits all sinks with 3 1/2" waste outlet



### 3712

Siphon single bowl sinks (dishwasher connection included)




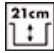

### KITFD075

Waste disposal 0,75 HP, Motor: 1/2 horsepower, Fits all sinks with 3 1/2" waste outlet

---

## Symbols glossary (TT)

---

- |  |   |   |   |
|--|---|---|---|
|  | Cupboard width required for sink installation   |  | Sink depth - depending on the model, the depth can be from 13 to 24,5 |
|  | Under table top installation: The sink is fixed under tabletop, which extends the work surface and the depth of the sink. |   |   |