

VSTQ50-2

Sink material Stainless steel
Type Squared bowl
No. of bowls 1
EAN code 8017709127732



Aesthetics



Aesthetic Universale
Series Quadra
Colour Stainless steel
Finishing Brushed
Building in type Undermount
Logo Embossed

	Bowl type	Bowl dimensions, WxDxH (mm)	Bowl depth (mm)	Overflow	Strainer position	Strainer dimension
Bowl	Squared	500 x 400 x 210	210	Yes, traditional	Wall position	3.5"

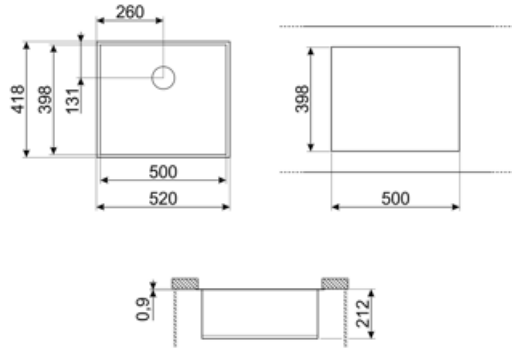
Technical Features



Dimensions of the product (mm) 210x520x418 mm
Cutout dimension undermount (mm) 398*500 mm
Base unit size 60 cm
Tap hole diameter 35 mm
Gasket type Sealing paste
No. of clips 6
Type of clips Undermount clip

Accessories included

Accessories for installation Strainer, Savespace siphon with dishwasher outlet connection, Fixing clips



Compatible Accessories



3712

Siphon single bowl sinks (dishwasher connection included)



3713

Siphon double bowls sinks (dishwasher connection included)



KITFD050

Waste disposal 0,5 HP, Motor: 1/2 horsepower, Fits all sinks with 3 1/2" waste outlet



KITFD075

Waste disposal 0,75 HP, Motor: 1/2 horsepower, Fits all sinks with 3 1/2" waste outlet



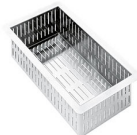
KITFD100

Waste disposal 1 HP, Motor: 1/2 horsepower, Fits all sinks with 3 1/2" waste outlet



RND1V


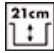

Rondò waste kit 1 bowl with standard overflow



VSH20Q

Colander for square sinks radius 0 204 x 438 x 118 mm

Symbols glossary

- | | | | |
|--|---|---|---|
|  | Cupboard width required for sink installation |  | Sink depth - depending on the model, the depth can be from 13 to 24,5 |
|  | Under table top installation: The sink is fixed under tabletop, which extends the work surface and the depth of the sink. | | |

Benefit (TT)

One bowl

A single bowl for greater adaptability, capacity and space optimisation