

# VSTQ72-2

Sink material	Stainless steel
Sink type	Squared bowl
No. of bowls	1
EAN code	8017709125608



## Aesthetics



<b>Aesthetics</b>	Universal	<b>Building in type</b>	Undermount
<b>Colour</b>	Stainless steel	<b>Logo</b>	Embossed
<b>Finishing</b>	Brushed	<b>Tap hole / precut tap hole</b>	No Taphole
<b>Series</b>	Quadra		

	Bowl type	Bowl dimensions, WxDxH (mm)	Bowl depth (mm)	Overflow	Strainer position	Strainer dimension
Bowl	Squared	720 x 400 x 210	210	Yes, traditional	Wall position	3.5"

## Technical Features

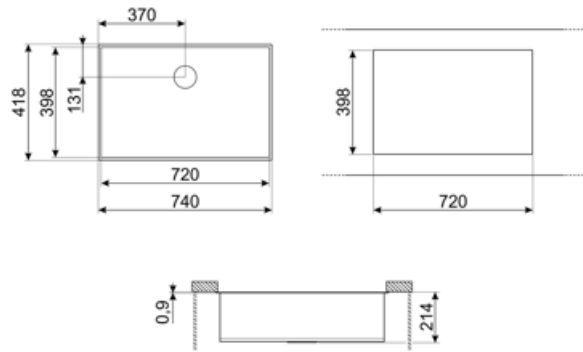


<b>Dimensions of the product WxDxH (mm)</b>	210x740x418 mm	<b>Gasket type</b>	Sealing paste
<b>Cutout dimension undermount (mm)</b>	398*720 mm	<b>No. of clips</b>	8
<b>Cutout radius</b>	5 mm	<b>Type of clips</b>	Undermount clip
<b>Base unit size</b>	80 cm	<b>Possibility to install waste disposal</b>	Yes, single
<b>Tap hole diameter</b>	35 mm		

## Accessories Included

Accessories for  
installation

Strainer, Siphon with  
dishwasher outlet  
connection, Fixing clips



---

## Compatible Accessories

---



**3712**

Siphon single bowl sinks (dishwasher connection included)



**3713**

Siphon double bowls sinks (dishwasher connection included)



**KITFD050**

Waste disposal 0,5 HP Motor: 1/2 horsepower Fits all sinks with 3 1/2" waste outlet



**KITFD075**

Waste disposal 0,75 HP Motor: 3/4 horsepower Fits all sinks with 3 1/2" waste outlet



**KITFD100**

Waste disposal 1 HP Motor: 1 horsepower Fits all sinks with 3 1/2" waste outlet



**RND1V**

Rondò waste kit 1 bowl with standard overflow



**VSH20Q**

COLANDER SQUARE SINKS

---

## Symbols glossary

---



Cupboard width required for sink installation



Sink depth - depending on the model, the depth can be from 13 to 24,5



Under table top installation: The sink is fixed under tabletop, which extends the work surface and the depth of the sink.

---

## Benefit

---

### **One bowl**

A single bowl for greater adaptability, capacity and space optimisation

### **Waste Kit**

Possibility to install the waste disposal KITFD100 to easily dispose of organic waste, saving time and effort

The waste disposal is the ideal solution for a clean and sustainable kitchen: simple to use and compact, it disposes of food waste directly from the sink, reducing kitchen bad smells and improving hygiene