

VSTQ72-2

Sink material	Stainless steel
Sink type	Squared bowl
No. of bowls	1
EAN code	8017709125608



Aesthetics



Series	Quadra	Building in type	Undermount
Aesthetics	Universal	Logo	Embossed
Colour	Stainless steel	Tap hole / precut tap hole	No Taphole
Finishing	Brushed		

	Bowl type	Bowl dimensions, WxDxH (mm)	Bowl depth (mm)	Overflow	Strainer position	Strainer dimension
Bowl	Squared	720 x 400 x 210	210	Yes, traditional	Wall position	3.5"

Technical Features

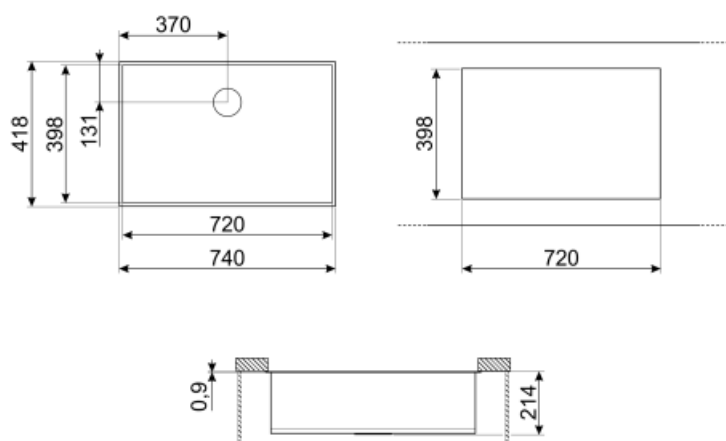


Dimensions of the product (mm)	210x740x418 mm	Tap hole diameter	35 mm
Cutout dimension undermount (mm)	398*720 mm	Gasket type	Sealing paste
Cutout radius	5 mm	No. of clips	8
Base unit size	80 cm	Type of clips	Undermount clip

Accessories Included

Accessories for
installation

Strainer, Siphon with
dishwasher outlet
connection, Fixing clips



Not included accessories



RND1V

Rondò waste kit 1 bowl with standard overflow



KITFD100

Waste disposal 1 HP Motor: 1 horsepower Fits all sinks with 3 1/2" waste outlet



3713

Siphon double bowls sinks (dishwasher connection included)



KITFD050UK

Waste disposal 0,5 HP Motor: 1/2 horsepower Fits all sinks with 3 1/2" waste outlet



VSH20Q

COLANDER SQUARE SINKS



KITFD050

Waste disposal 0,5 HP Motor: 1/2 horsepower Fits all sinks with 3 1/2" waste outlet



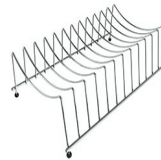
3712

Siphon single bowl sinks (dishwasher connection included)



KITFD075


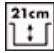

Waste disposal 0,75 HP Motor: 3/4 horsepower Fits all sinks with 3 1/2" waste outlet



COLPTX

Dranier accessory

Symbols glossary

- | | | | |
|--|---|---|---|
|  | Cupboard width required for sink installation |  | Sink depth - depending on the model, the depth can be from 13 to 24,5 |
|  | Under table top installation: The sink is fixed under tabletop, which extends the work surface and the depth of the sink. | | |