

WDTU130G

| | |
|-------------------|----------------|
| Product family | Drawer |
| Commercial height | 26 cm |
| Type | Warming drawer |



Aesthetic

| | | | |
|------------|--------------|---------------|------------|
| Aesthetics | Linea | Glass | Stopsol |
| Color | Neptune Grey | Front panel | Full-glass |
| Finishing | Neptune Grey | Logo | Applied |
| Material | Glass | Logo position | Inside |

Controls

| | | | |
|----------------------|------------|-----------------------------|------------|
| Display | Yes | Type of temperature control | Electronic |
| Control setting type | Digi Touch | | |

Program / Functions

| | |
|--------------|-----|
| Proof | Yes |
| Defrost | Yes |
| Sabbath Mode | Yes |
| Keep warm | Yes |
| Dish warmer | Yes |
| Timer | Yes |

Technical Features

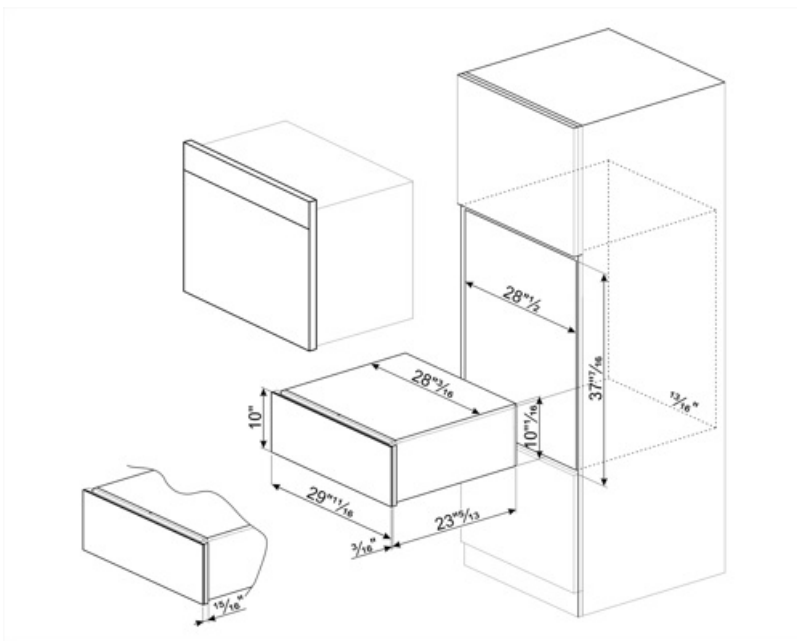
| | | | |
|-------------------------------|-----------------|----------------------|-----------------------------|
| Opening mechanism | Push-pull | Capacity | 56 l |
| Base material | Stainless steel | Type of heating | Fan-assisted |
| Max weight allowance | 33 lbs | Included accessories | Rack, Silicone antislip mat |
| Maximum drawer loading weight | 518 lbs | | |

Electrical Connection

| | | | |
|---------------|----------------|----------------|-------|
| Plug | (B) NEMA 5-15P | Voltage | 115 V |
| Nominal power | 800 W | Frequency (Hz) | 60 Hz |
| Current | 7 A | | |

Logistic Information

| | | | |
|-------|----------|--------|----------|
| Width | 28 3/8 " | Height | 9 3/16 " |
| Depth | 20 7/8 " | | |



Alternative products

WDTU330X

Color: Stainless steel

