

APM862

Sink material Stainless steel
Type Welded sink
No. of bowls 2
EAN code 8017709084486



Aesthetics



Aesthetic Universale
Series Alba
Colour Stainless steel
Finishing Microlinen (anti-scratch)

Building in type Standard
Logo Embossed
Tap hole / precut tap hole 1 Tap hole

	Bowl type RH	Bowl thickness (mm)	Bowl dimensions, WxDxH (mm)	Bowl depth (mm)	Radius corner right bowl (mm)	Overflow	Strainer position	Strainer dimension
RH Bowl	Traditional	0.7	340 x 400 x 210	210	80	Yes, traditional	Wall position	3.5"
LH Bowl	Traditional	0.7	340 x 400 x 210	210	80		Wall position	3.5"

Technical Features



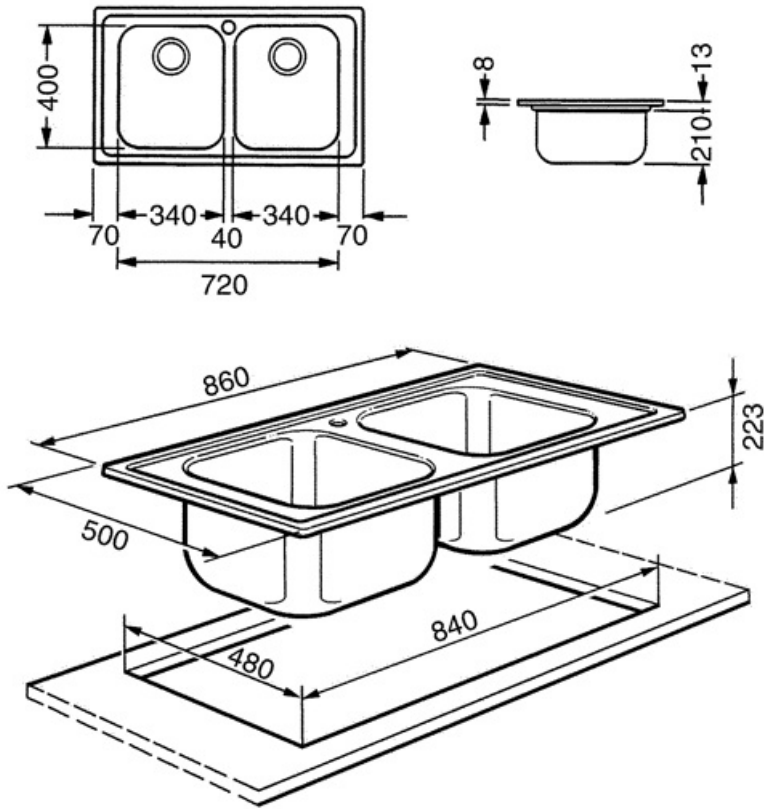
Frame thickness 0.7 mm
Frame depth (mm) 13
Dimensions of the product (mm) 220x860x500 mm
Cutout dimension topmount (mm) 840 x 480 mm
Height from kitchen top 8 mm
Base unit size 90 cm

Tap hole 1
Tap hole diameter 35 mm
Dividing wall width 30 mm
Gasket type Sealing paste
No. of clips 10
Type of clips Standard

Accessories Included

Accessories for installation

Strainer, Savespace siphon with dishwasher outlet connection, Fixing clips, Gasket



Not included accessories



CB34

Single wooden chopping board to fit STD radius 340 x 400 mm bowl



DB34

St/steel drain basket to fit STD radius 340 x 400 bowl, 180 mm depth



KITFD050

Waste disposal 0,5 HP, Motor: 1/2 horsepower, Fits all sinks with 3 1/2" waste outlet



KITFD075

Waste disposal 0,75 HP, Motor: 1/2 horsepower, Fits all sinks with 3 1/2" waste outlet



KITFD100

Waste disposal 1 HP, Motor: 1/2 horsepower, Fits all sinks with 3 1/2" waste outlet



RND2V

2 Bowls standard Rondò waste kit with rectangular overflow



STABMIX

Tap stabiliser

Symbols glossary



Cupboard width required for sink installation



Sink depth - depending on the model, the depth can be from 13 to 24,5



Standard installation: Traditional installation in tabletop, suitable for any kitchen sets

Benefit (TT)

Two bowls

Two bowls for greater versatility and dual functionality

Tap hole

Possibility of having the tap hole for direct installation of the tap on the sink, for a larger and neater surface area