

# FAB10LCR6



Product Family	Refrigerator
Installation	Free Standing
Category	One Door
Reference width	Until 60
Reference height	Until 100
Cooling type	Static
Defrost	Automatic for refrigerator, manual for freezer
Hinge type	Standard
Hinge position	Left
EAN code	8017709342371



## Aesthetics

Aesthetics	50's Style	Handle type	Fixed
Colour	Cream	Handle colour	Chrome
Finishing	Gloss	Logo colour	Chrome
Design	Rounded	Side material	Steel
Material	Heat-moulded	Side colour	Cream
Handle	External	Logo	Applied

## Refrigerator compartment features



No. of adjustable shelves	1	Type of crisper/vegetable drawers cover	Glass
Number of fruit and vegetables drawers	1	No. of lights	1
Type of adjustable shelves	Glass	Internal light in fridge	Yes
Type of crisper/vegetable drawers cover	Standard	Type of internal light (fridge)	LED
Crisper Cover	Yes		

## Refrigerator Inner Door

Number of adjustable door shelves	2	No. of bottle shelves	1
-----------------------------------	---	-----------------------	---

---

## Freezer compartment features

---

**Internal freezer compartment** Yes


## Other technical features

---

Type of temperature control	Electro-mechanical
No. of compressors	1
Refrigerant gas type	R600a
Type of compressor	Standard
Refrigerant Quantity (gr)	25 g
Foam agent	Cyclopentane

## Performance / Energy Label

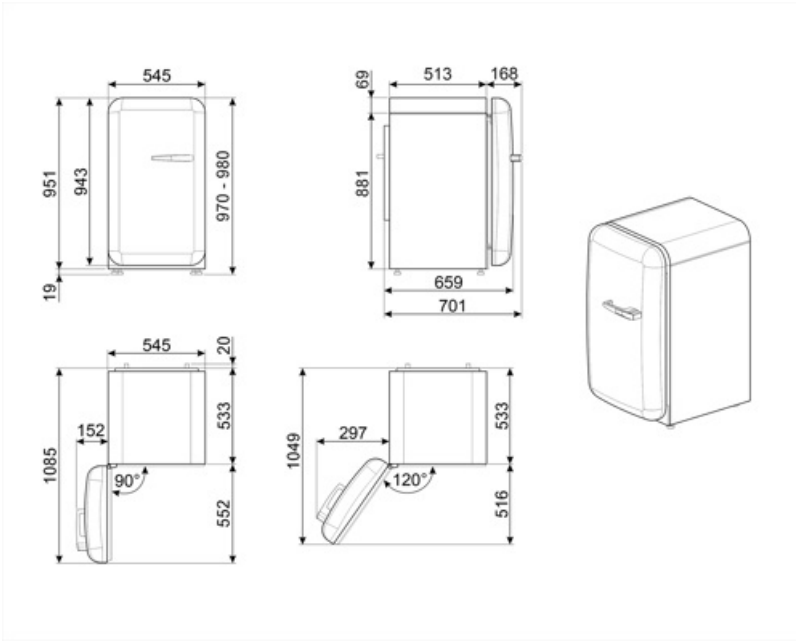
---

 Annual energy consumption	115 kWh/year	Noise level	35 dB(A) re 1 pW
Energy efficiency class	D	Thaw time	6 h
Airborne acoustical noise emission class	B	4 star - Freezing capacity	2.6 Kg/24h
Total volume	122 l	Climatic class	N, ST, T
Sum of the volumes of the frozen compartment(s)	17 l	EEl	79 %
Sum of the volumes of the chill compartment(s) and the unfrozen compartment(s)	105 l		

## Electrical Connection

---

Plug	(F;E) Schuko	Voltage (V)	220-240 V
Nominal power	50 W	Frequency (Hz)	50 Hz
Current	0,42 A	Power supply cable length	180 cm



---

## Symbols glossary

---



4 stars freezing compartment for better food preservation.



The automatic defrost system works by automatically defrosting at regular intervals eliminating the need to defrost altogether.



Energy efficiency class D



LED interior lighting: is a more energy efficient and long lasting way of illuminating the interior of the appliance.