

FC18EN1M1



Product Family	Refrigerator
Installation	Free standing
Category	Bottom Mount
Reference width	Until 60
Reference height	160 - 200
Sistema Total No - Frost	Total
Cooling type	Total No Frost - Double Cooling system
Defrost	Automatic
Hinge type	Standard
Door opening flush with the wall	Yes
Hinge position	Right
Reversible door	Yes
EAN code	8017709333133



Aesthetics



Aesthetic	Universale	Side material	Steel
Colour	Marble look	Side colour	Cream
Design	Flat	Logo	Applied
Handle	Integrated	Display	LED
Logo colour	Silver	Display position	Interno (cella frigo)

Refrigerator compartment features



No. of adjustable shelves	2	Type of crisper/vegetable drawers cover	Glass
Number of fruit and vegetables drawers	1	Low temperature compartment	Yes
Type of adjustable shelves	Glass	Internal light in fridge	Yes
Type of crisper/vegetable drawers cover	On sliding rails	Type of internal light (fridge)	LED
Crisper Cover	Yes		

Refrigerator Inner Door

Number of adjustable door shelves	2	No. of bottle shelves	1
-----------------------------------	---	-----------------------	---

Other Refrigerator features



Accessories Egg tray MultiFlow Yes

Freezer compartment features

Number of drawers 3

Other Freezer features

Accessories 2 ice boxes

Other technical features



Functions display	Fast freezing, ECO, Temperature alarm
Door open alarm	Yes
Temperature Alarm	Yes
Type of temperature control	Electronic
No. of compressors	1
Refrigerant gas type	R600a
Type of compressor	Standard
Refrigerant Quantity (gr)	48 g
Foam agent	Cyclopentane

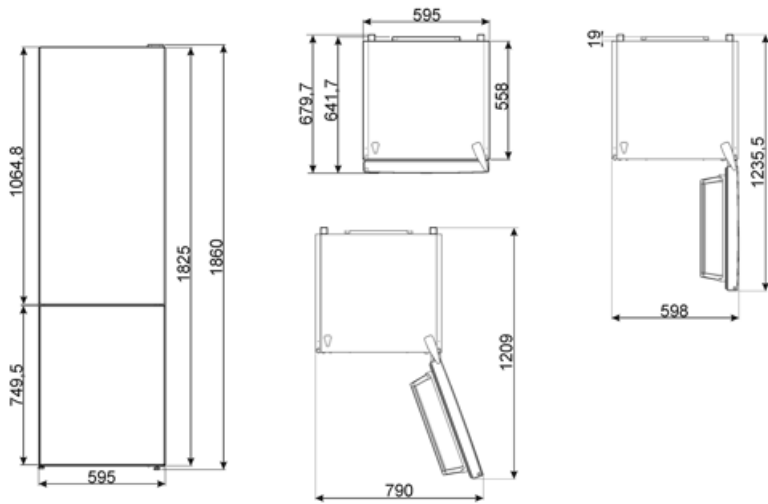
Performance / Energy Label - Reg. 2019



Annual energy consumption	250 kWh/a	Airborne acoustical noise emissions	39 dB(A) re 1 pW
Energy efficiency class	E	Temperature Rise Time	10 h
Airborne acoustical noise emission class	C	4 star - Freezing capacity	8.0 Kg/24h
Total net volume	330 l	Climate class	SN, N, ST, T
Sum of the volumes of the frozen compartment(s)	101 l	EI	100 %
Sum of the volumes of the chill compartment(s) and the unfrozen compartment(s)	230 l		

Electrical Connection

Plug	(F;E) Schuko	Voltage (V)	220-240 V
Electrical connection rating	197 W	Frequency (Hz)	50 Hz
Current	1,1 A	Power supply cable length	210 cm



Symbols glossary



The automatic defrost system works by automatically defrosting at regular intervals eliminating the need to defrost altogether.



LED display: to show programmes, functions and options selected and the time to the end of the cycle.



Fast freezing: The fast freezing function brings the temperature of the compartment down when activated a few hours prior to usage.



Multiflow Cooling System: the Multiflow ventilation system allows an even distribution of cool air around the fridge cabinet.



Energy efficiency class E



Economical mode: Analyzes fridge functioning during the activation and optimizes the operating cycle in order to reduce power consumption.



LED interior lighting: is a more energy efficient and long lasting way of illuminating the interior of the appliance.