

KATE600CEX

Product family	Hood
Hood Type	Decorative wall hood
Design	T flat
Extraction	Extraction
Material	Stainless steel
Type of steel	Brushed
EAN code	8017709255053



Aesthetics

Aesthetic Colour	Universale Stainless steel	Finishing Logo	Satin Silk screen
------------------	-------------------------------	----------------	----------------------

Controls

Control setting	Buttons
-----------------	---------

Programs / Functions

No. of speeds	3
---------------	---

Technical Features



No. of lights	2	Anti-grease filters	Aluminium
Light type	LED	Charcoal filters included	Yes
Light Power	2.5 W	Vent outlet	150 mm
Light color temperature scale (°K)	3500 °K	Minimum distance from GAS hob	650 mm
Free outlet maximum capacity	612 m ³ /h	Minimum distance from ELECTRIC hob	500 mm
Motor power	175 W	Non return valve	Yes
No. of filters	2		

	Extraction rate IEC 61591 [m ³ /h]	Noise level IEC 60704-2-13 [dBA]
Speed 1	241	46
Speed 2	370	56
Speed 3	590	65

Accessories Included

Tube reduction Yes

Performance / Energy Label



Annual Efficiency Consumption (AEHood) 77 kWh/a

Energy efficiency class (EEC) C

Fluid Dynamic Efficiency (FDE) 20,2

Fluid Dynamic Efficiency class (FDEC) C

Lighting Efficiency (LE) 76,1 lux/W

Lighting Efficiency Class (LEC) A

Grease Filtering Efficiency (GFE) 76 %

Grease Filtering Efficiency Class (GFEC) C

Air flow at minimum speed (Qmin) 240 m³/h

Air flow at maximum speed (Qmax) 581 m³/h

Airbourne acoustical A-weighted sound Power Emission at minimum speed (SPEmin) 47 dBA

Airborne acoustical A-weighted sound Power Emission at maximum speed (SPEmax) 68 dBA

Time increase factor (F) 1,3

Measured air flow rate at best efficiency point (Qbep) 336 m³/h

Measured air pressure at best efficiency point (Pbep) 334 Pa

Measured electric power input at best efficiency point (Wbep) 155 W

Nominal Power consumption of the light system (WL) 5 W

Average illumination of the light on the cooking surface (Emiddle) 381 lux

Sound power level at highest setting (Lwa) 68 dBA

Electrical Connection

Plug Not present

Electrical connection rating 180 W

Voltage 220-240 V

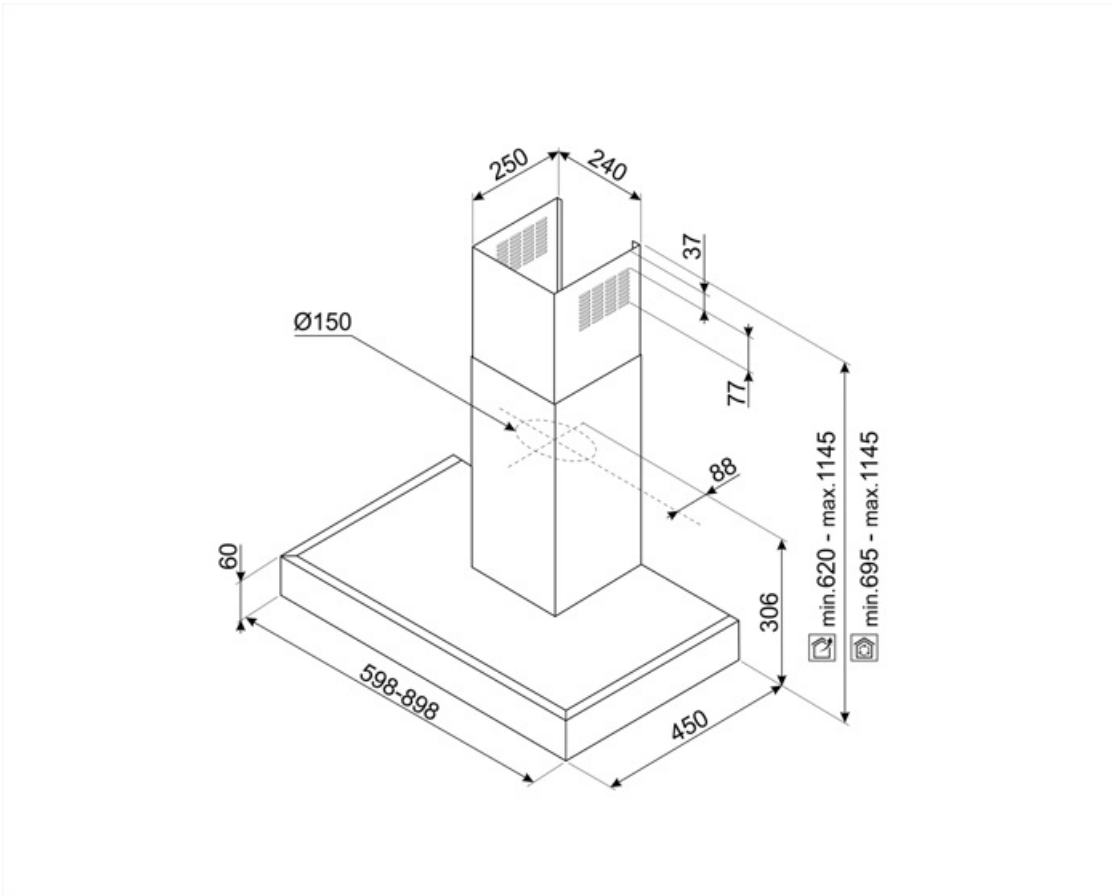
Frequency (Hz) 50-60 Hz

Power supply cable length 1500 mm

Optional accessories

Chimney extension

KITCMNKAT



Not included accessories



KITCMNKAT

Chimney extension dimension 241 * 231
* 810 T-shape hood KAT & KATE
Stainless Steel



KITFC900

Charcoal filter Kit 1 piece high
performances washable



KITFC999

Charcoal filter Kit 1 piece

Symbols glossary



Filters: Model has filters to help remove grease from the steam emanating from the pans during cooking.



Charcoal filters: Extracting through charcoal filters or directly to the exterior lessens strong cooking odours considerably.



Lights: All cooker hoods feature lights to illuminate the cooking area or add to the ambience of the kitchen.