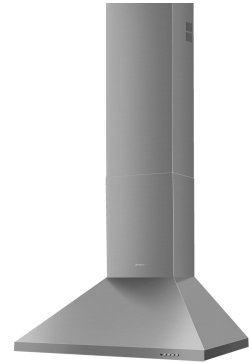


KD61XE3

Product family	Hood
Hood Type	Chimney Cooker Hoods
Design	Chimney
Extraction	Ducted out or re-circulation possible
Material	Stainless steel
Type of steel	Brushed
EAN code	8017709345983



Aesthetics

Aesthetics	Universal	Finishing	Brushed
Colour	Stainless steel	Logo	Embossed

Controls

Control setting	Buttons
-----------------	---------

Program / Functions

No. of speeds	3
---------------	---

Technical Features

			
No. of lights	2	No. of filters	2
Light type	LED	Anti-grease filters	Aluminium
Light power	4 W	Vent outlet	150 mm
Light colour	4000 °K	Minimum distance from GAS hob	650 mm
Free outlet maximum capacity	620 m ³ /h	Minimum distance from ELECTRIC hob	500 mm
Motor power	160 W		

	Extraction rate IEC 61591 [m ³ /h]	Noise level IEC 60704-2-13 [dBA]
Speed 1	260	45
Speed 2	390	54
Speed 3	600	63

Accessories Included

Tube reduction Yes

Performance / Energy Label



Annual Efficiency Consumption (AEC_{hood}) 79 kWh/year

Energy efficiency class (EEC) C

Fluid Dynamic Efficiency (FDE) 18.20

Fluid Dynamic Efficiency class (FDEC) C

Lighting Efficiency (LE) 17 lux/W

Lighting Efficiency Class (LEC) C

Grease Filtering Efficiency (GFE) 75.1 %

Grease Filtering Efficiency Class (GFEC) C

Air flow at minimum speed (Q_{min}) 260 m³/h

Maximum extraction rate 600 m³/h

Airborne acoustical A-weighted sound Power Emission at minimum speed (SPE_{min}) 45 dBA

Airborne acoustical A-weighted sound Power Emission at maximum speed (SPE_{max}) 63 dBA

Time increase factor (F) 1.3

Energy Efficiency Index per first cavity 75.6

Measured air flow rate at best efficiency point (Q_{bep}) 338 m³/h

Measured air pressure at best efficiency point (Q_{bep}) 300 Pa

Measured electric power input at best efficiency point (W_{bep}) 155 W

Normal Power of the light system (W_I) 8 W

Average illumination of the light on the cooking surface (E_{middle}) 133 lux

Sound power level at highest setting (L_{wa}) 63 dBA

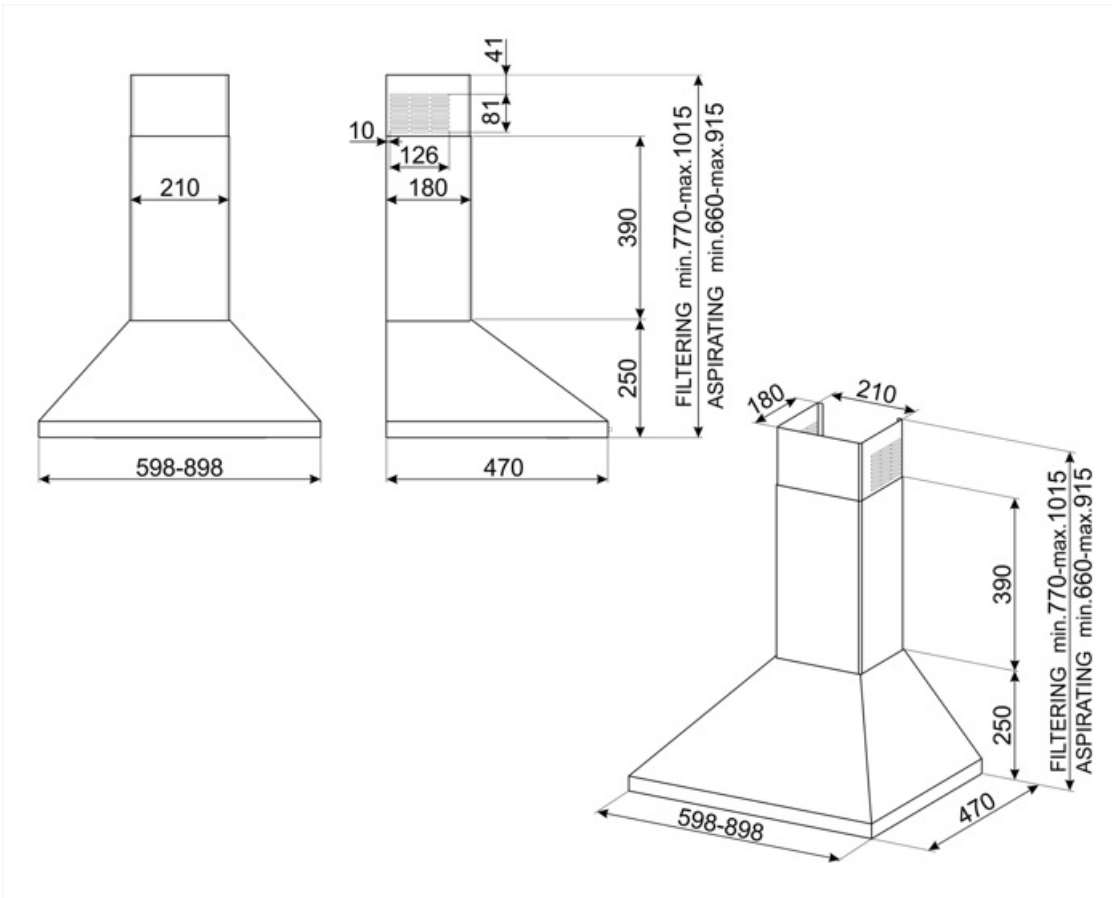
Electrical Connection

Nominal power 168 W

Voltage 220-240 V

Frequency (Hz) 50-60 Hz

Power supply cable length 1500 mm



Not included accessories

KITFC152

Charcoal filters Round Kit 2 pieces



Symbols glossary



Filters: Model has filters to help remove grease from the steam emanating from the pans during cooking.



Lights: All cooker hoods feature lights to illuminate the cooking area or add to the ambience of the kitchen.

