

KI52E3

Product family	Hood
Hood Type	Canopy Cooker Hoods
Design	Fully integrated
Extraction	Ducted out or re-circulation possible
Material	Painted material
EAN code	8017709304362



Aesthetics

Aesthetics Colour	Universal Silver	Serigraphy colour Logo	Black Silk screen
-------------------	------------------	------------------------	-------------------

Controls

Control setting	Slider
-----------------	--------

Program / Functions

No. of speeds	3
---------------	---

Technical Features

			
No. of lights	2	No. of filters	1
Light type	LED	Anti-grease filters	Aluminium
Light power	4 W	Vent outlet	150 mm
Light colour	3000 °K	Minimum distance from GAS hob	650 mm
Free outlet maximum capacity	350 m ³ /h	Minimum distance from ELECTRIC hob	500 mm
Motor power	115 W		

	Extraction rate IEC 61591 [m ³ /h]	Noise level IEC 60704-2-13 [dBA]
Speed 1	160	54
Speed 2	220	59
Speed 3	335	66

Accessories Included

Tube reduction Yes

Performance / Energy Label



Annual Efficiency Consumption (AEChood) 59 KWh/year

Energy efficiency class (EEC) C

Fluid Dynamic Efficiency (FDE) 13.1

Fluid Dynamic Efficiency class (FDEC) D

Lighting Efficiency (LE) 13 lux/W

Lighting Efficiency Class (LEC) D

Grease Filtering Efficiency (GFE) 75.1 %

Grease Filtering Efficiency Class (GFEC) C

Air flow at minimum speed (Qmin) 160 m³/h

Maximum extraction rate 335 m³/h

Airbourne acoustical A-weighted sound Power Emission at minimum speed (SPEmin) 54 dBA

Airborne acoustical A-weighted sound Power Emission at maximum speed (SPEmax) 66 dBA

Time increase factor (F) 1.5

Energy Efficiency Index per first cavity 80.6

Measured air flow rate at best efficiency point (Qbep) 153 m³/h

Measured air pressure at best efficiency point (Qbep) 196 Pa

Measured electric power input at best efficiency point (Wbep) 103 W

Normal Power of the light system (WI) 8 W

Average illumination of the light on the cooking surface (Emiddle) 100 lux

Sound power level at highest setting (Lwa) 66 dBA

Electrical Connection

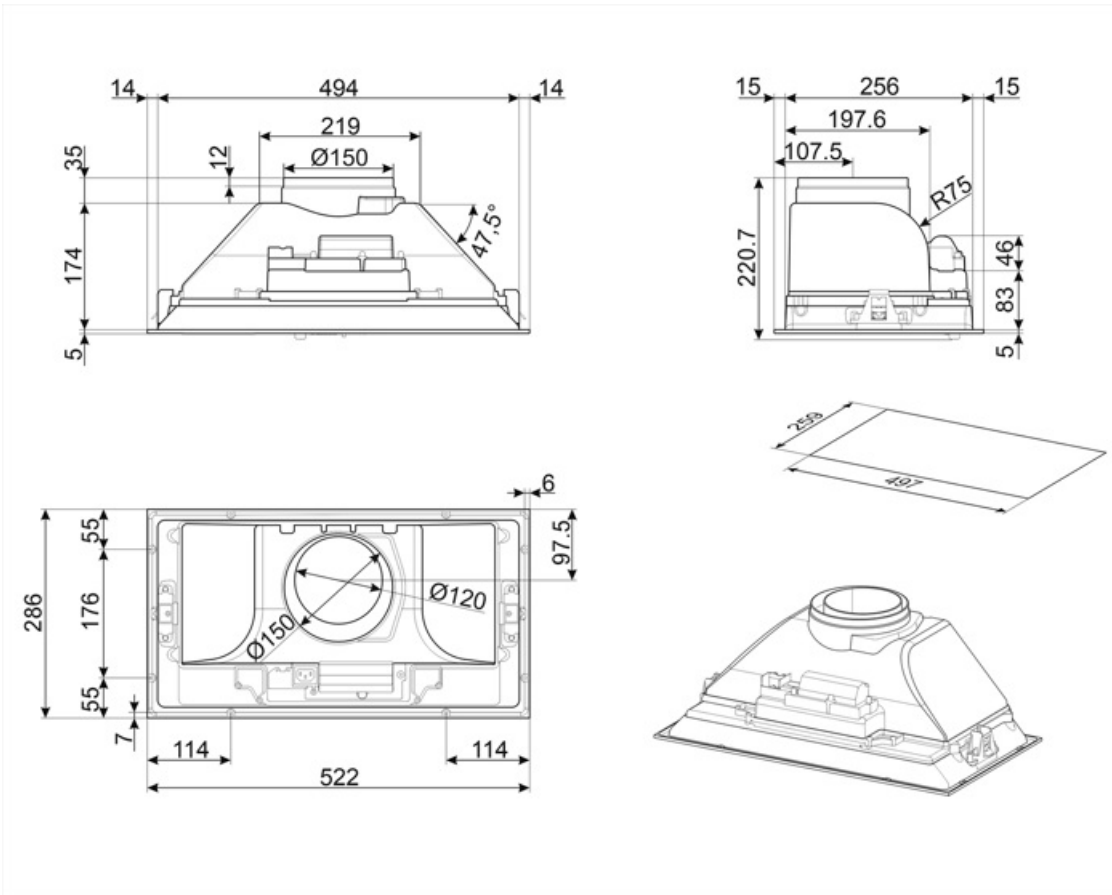
Plug UK 13 AMP

Nominal power 103 W

Voltage 220-240 V

Frequency (Hz) 50 Hz

Power supply cable length 1000 mm



Not included accessories

KITFC6191

Charcoal filter round (kit 2 pieces)



Symbols glossary



Filters: Model has filters to help remove grease from the steam emanating from the pans during cooking.



Lights: All cooker hoods feature lights to illuminate the cooking area or add to the ambience of the kitchen.