

KS9500XE

Product family	Hood
Hood Type	Decorative wall hood
Design	T flat
Extraction	Extraction
Electronic control	Yes
Material	Stainless steel
Type of steel	Brushed
EAN code	8017709201814
Hood width	90 cm



Aesthetics

Aesthetic Colour	Universale Stainless steel	Finishing Logo	Satin Embossed
------------------	----------------------------	----------------	----------------



Controls

Control setting	Electronic buttons
-----------------	--------------------

Program / Functions

No. of speeds	3
Intensive speed	
Time-setting options	

Technical Features

				
No. of lights	2	No. of filters	3	
Light type	LED	Anti-grease filters	Aluminium	
Light Power	2 W	Filter replacement indicator	Yes	
Light color temperature scale (°K)	4000 °K	Vent outlet	150 mm	
Free outlet maximum capacity	800 m ³ /h	Non return valve	Yes	
Motor power	275 W			

	Extraction rate IEC 61591 [m ³ /h]	Noise level IEC 60704-2-13 [dBA]
Speed 1	307	53
Speed 2	395	58
Speed 3	558	67
Intensive speed	759	73

Performance / Energy Label



Annual Efficiency Consumption (AEChood)	54 kWh/a	Airbourne acoustical A-weighted sound Power Emission at minimum speed (SPEmin)	53 dBA
Energy efficiency class (EEC)	A	Airborne acoustical A-weighted sound Power Emission at maximum speed (SPEmax)	67 dBA
Fluid Dynamic Efficiency (FDE)	29,2	Airbourne acoustical A-weighted sound power emission at boost speed (SPEboost)	73 dBA
Fluid Dynamic Efficiency class (FDEC)	A	Power consumption in stand-by mode (Ps)	0,49 W
Lighting Efficiency (LE)	95,9 lux/W	Time increase factor (F)	0,9
Lighting Efficiency Class (LEC)	A	Measured air flow rate at best efficiency point (Qbep)	376 m ³ /h
Grease Filtering Efficiency (GFE)	78,9 %	Measured air pressure at best efficiency point (Pbep)	449 Pa
Grease Filtering Efficiency Class (GFEC)	C	Measured electric power input at best efficiency point (Wbep)	160 W
Air flow at mininum speed (Qmin)	307 m ³ /h	Nominal Power consumption of the light system (WL)	2 W
Air flow at maximum speed (Qmax)	558 m ³ /h	Average illumination of the light on the cooking surface (Emiddle)	211 lux
Air flow at boost speed (Qboost)	759 m ³ /h	Sound power level at highest setting (Lwa)	67 dBA

Electrical Connection

Plug	Not present	Frequency (Hz)	50-60 Hz
Electrical connection rating	278 W	Power supply cable length	1000 mm
Voltage	220-240 V		

Also available

Alternative colours available

Black, Cream

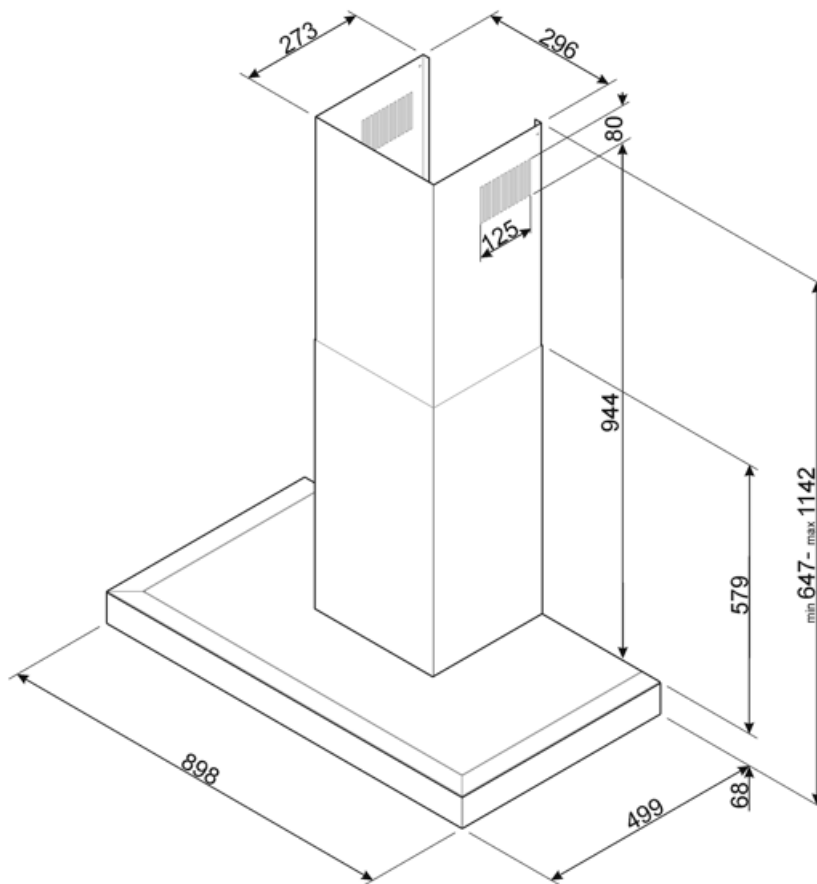
Available colours

KS9500BLE - KS9500PE

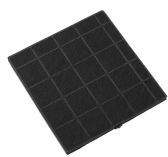
Optional accessories

Charcoal filter

FLT4



Not included accessories



FLT4

Charcoal filter Kit 1 piece



KITALLFC

Universal Charcoal filter Stainless Steel AISI 304 The filter can be washed in dishwasher 50 °C (water and suitable detergent) and to dry it put in the oven 180°C 25 minutes

Symbols glossary



Filters: Model has filters to help remove grease from the steam emanating from the pans during cooking.



Lights: All cooker hoods feature lights to illuminate the cooking area or add to the ambience of the kitchen.



Switch off automatically: A special setting, to run after the end of cooking for a pre-set time and then switch off automatically.



Warning light(s): to advise when filters need changing.



Intensive/turbo setting: when extra fast extraction is required.