

KSEC61BE3

Product family	Hood
Hood Type	Integrated (semi) hood
Design	Visible front panel
Extraction	Extraction
Material	Painted material
EAN code	8017709343316
Hood width	60 cm



Aesthetics

Aesthetic Colour	Universale White	Serigraphy colour Logo	Black Silk screen
------------------	------------------	------------------------	-------------------

Controls

Control setting	Slider
-----------------	--------

Programs / Functions

No. of speeds	3
---------------	---

Technical Features



No. of lights	2	No. of filters	1
Light type	LED	Anti-grease filters	Metallic multilayer
Light Power	4 W	Charcoal filters included	Yes
Light color temperature scale (°K)	4000 °K	Vent outlet	120 mm
Free outlet maximum capacity	315 m ³ /h	Minimum distance from GAS hob	650 mm
Motor power	115 W	Minimum distance from ELECTRIC hob	450 mm

	Extraction rate IEC 61591 [m³/h]	Noise level IEC 60704-2-13 [dBA]
Speed 1	170	58
Speed 2	240	66
Speed 3	305	72

Performance / Energy Label



Annual Efficiency Consumption (AEchood)	60 kWh/a	Airborne acoustical A-weighted sound Power Emission at minimum speed (SPEmin)	58 dBA
Energy efficiency class (EEC)	C	Airborne acoustical A-weighted sound Power Emission at maximum speed (SPEmax)	72 dBA
Fluid Dynamic Efficiency (FDE)	10	Time increase factor (F)	1.6
Fluid Dynamic Efficiency class (FDEC)	E	Energy Efficiency Index	84.8
Lighting Efficiency (LE)	11 lux/W	Measured air flow rate at best efficiency point (Qbep)	167 m³/h
Lighting Efficiency Class (LEC)	E	Measured air pressure at best efficiency point (Pbep)	198 Pa
Grease Filtering Efficiency (GFE)	40 %	Measured electric power input at best efficiency point (Wbep)	92 W
Grease Filtering Efficiency Class (GFEC)	G	Nominal Power consumption of the light system (WL)	8 W
Air flow at minimum speed (Qmin)	170 m³/h	Average illumination of the light on the cooking surface (Emiddle)	90 lux
Air flow at maximum speed (Qmax)	305 m³/h	Sound power level at highest setting (Lwa)	72 dBA

Electrical Connection

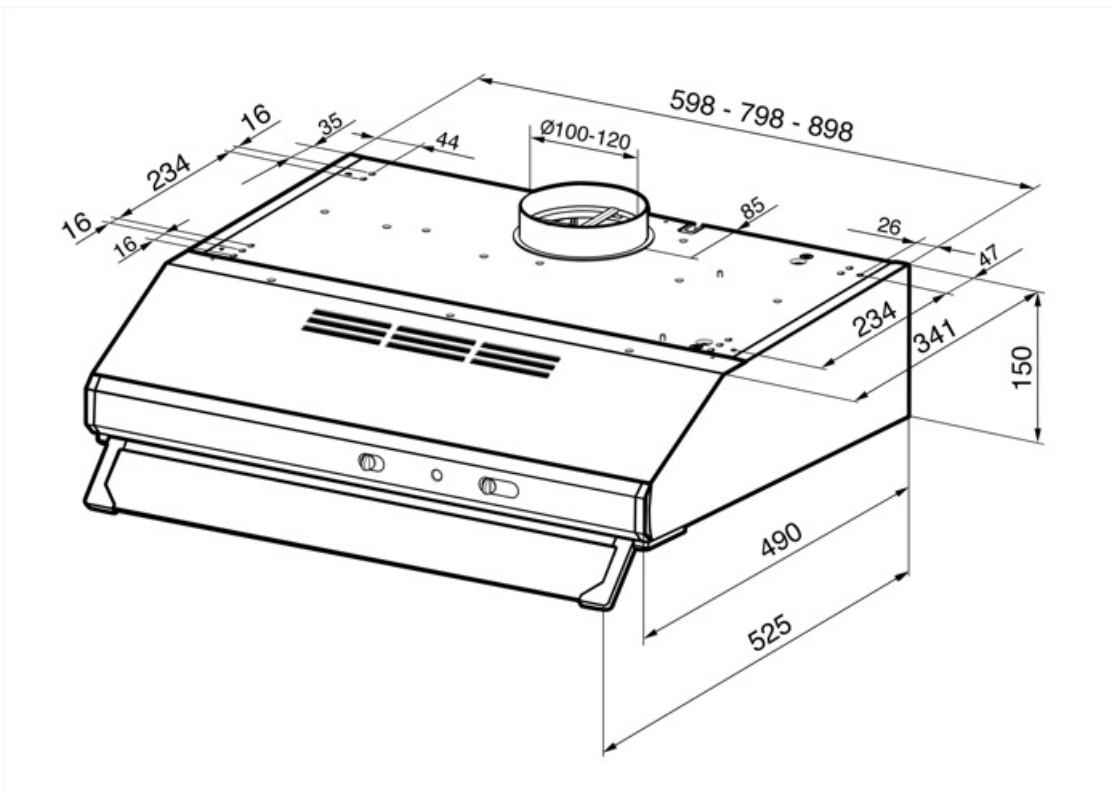
Plug	Not present	Frequency (Hz)	50 Hz
Electrical connection rating	133 W	Power supply cable length	1500 mm
Voltage	220-240 V		

Also available

Alternative colours available	Black, Stainless steel	Available colours	KSEC61NE3 - KSEC61XE3
-------------------------------	------------------------	-------------------	-----------------------

Optional accessories

Charcoal filter Yes



Not included accessories



KITFC111

Charcoal filters round Kit 1 piece

Symbols glossary



Filters: Model has filters to help remove grease from the steam emanating from the pans during cooking.



Lights: All cooker hoods feature lights to illuminate the cooking area or add to the ambience of the kitchen.



Charcoal filters: Extracting through charcoal filters or directly to the exterior lessens strong cooking odours considerably.

