

# KSET86LX3

Product family	Hood
Hood Type	Telescopic Cooker Hoods
Design	Visible front panel
Extraction	Ducted out or re-circulation possible
Material	Stainless steel
Type of steel	Brushed
EAN code	8017709333645



## Aesthetics

Aesthetics	Universal	Glass Type	Clear
Colour	Stainless steel	Serigraphy colour	Black
Finishing	Brushed	Logo	Silk screen



## Controls

Control setting	Slider
-----------------	--------

## Program / Functions

No. of speeds	3
---------------	---

## Technical Features

			
No. of lights	2	No. of filters	2
Light type	LED	Anti-grease filters	Aluminium
Light power	6 W	Vent outlet	120 mm
Light colour	2700 °K	Minimum distance from GAS hob	650 mm
Free outlet maximum capacity	237 m <sup>3</sup> /h	Minimum distance from ELECTRIC hob	500 mm
Motor power	75 W		

	Extraction rate IEC 61591 [m³/h]	Noise level IEC 60704-2-13 [dBA]
Speed 1	132	44
Speed 2	165	43
Speed 3	230	53

## Accessories Included

Tube reduction Yes

## Performance / Energy Label



Annual Efficiency Consumption (AEChood) 49 KWh/year

Energy efficiency class (EEC) C

Fluid Dynamic Efficiency (FDE) 8,4

Fluid Dynamic Efficiency class (FDEC) E

Lighting Efficiency (LE) 20,1 lux/W

Lighting Efficiency Class (LEC) B

Grease Filtering Efficiency (GFE) 65,1 %

Grease Filtering Efficiency Class (GFEC) D

Air flow at minimum speed (Qmin) 130 m³/h

Maximum extraction rate 225 m³/h

Airborne acoustical A-weighted sound Power Emission at minimum speed (SPEmin) 47 dBA

Airborne acoustical A-weighted sound Power Emission at maximum speed (SPEmax) 55 dBA

Time increase factor (F) 1,7

Energy Efficiency Index per first cavity 84,1

Measured air flow rate at best efficiency point (Qbep) 135 m³/h

Measured air pressure at best efficiency point (Qbep) 160 Pa

Measured electric power input at best efficiency point (Wbep) 72 W

Normal Power of the light system (WI) 6 W

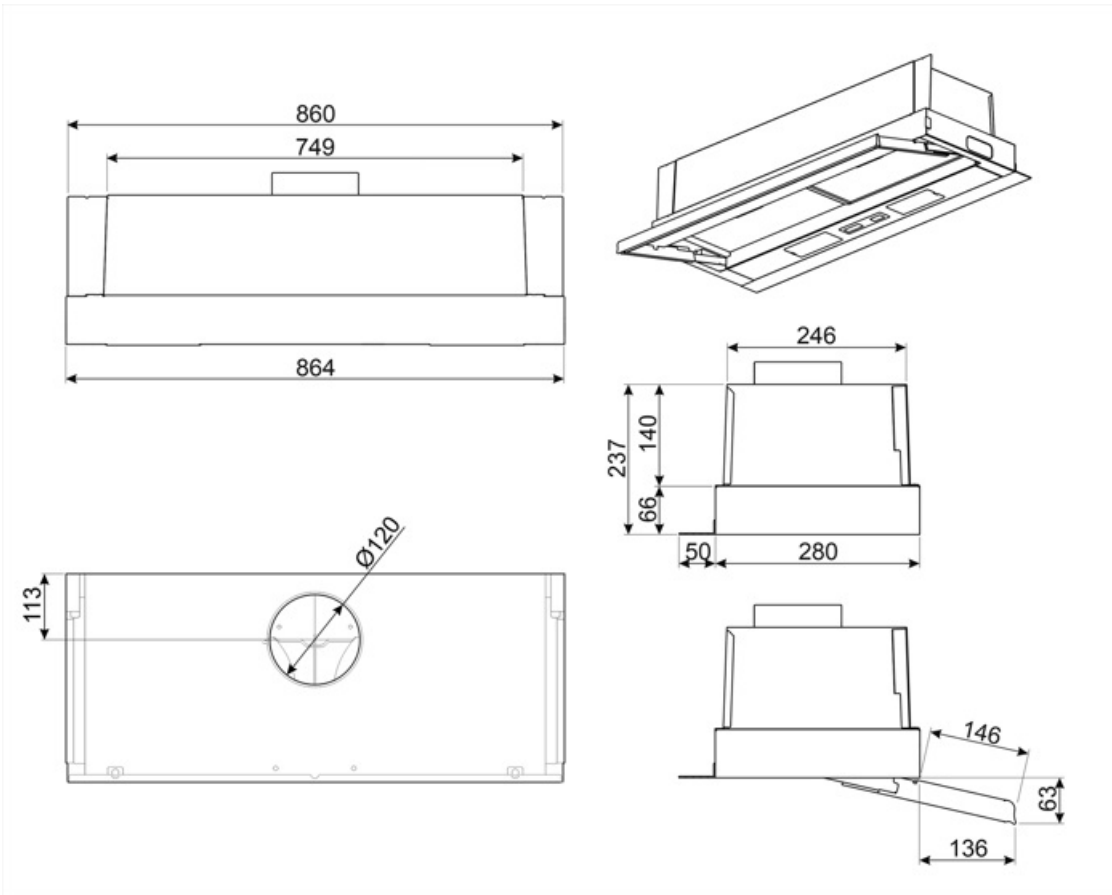
Average illumination of the light on the cooking surface (Emiddle) 121 lux

Sound power level at highest setting (Lwa) 55 dBA

## Electrical Connection

Nominal power 81 W  
Voltage 220-240 V

Frequency (Hz) 50-60 Hz  
Power supply cable length 1500 mm



---

## Not included accessories

---

KITFC62

Charcoal filter round (kit 2 pieces)



---

## Symbols glossary

---



Filters: Model has filters to help remove grease from the steam emanating from the pans during cooking.



Lights: All cooker hoods feature lights to illuminate the cooking area or add to the ambience of the kitchen.