

KSET900XE

Product family	Hood
Hood Type	Telescopic Cooker Hoods
Design	Telescopic
Extraction	Ducted out or re-circulation possible
Material	Stainless steel
Type of steel	Brushed
EAN code	8017709205379
Hood width	90 cm



Aesthetics

Aesthetics	Universal	Serigraphy colour	Black
Colour	Stainless steel	Logo	Silk screen
Finishing	Brushed		



Controls

Control setting	Slider
-----------------	--------

Program / Functions

No. of speeds	3
---------------	---

Technical Features

			
No. of lights	2	No. of filters	2
Light type	LED	Anti-grease filters	Aluminium
Light power	3 W	Vent outlet	150 mm
Light colour	3500 °K	Minimum distance from GAS hob	650 mm
Free outlet maximum capacity	600 m ³ /h	Minimum distance from ELECTRIC hob	500 mm
Motor power	175 W	Non return valve	Yes

	Extraction rate IEC 61591 [m³/h]	Noise level IEC 60704-2-13 [dBA]
Speed 1	240	44
Speed 2	368	54
Speed 3	581	65

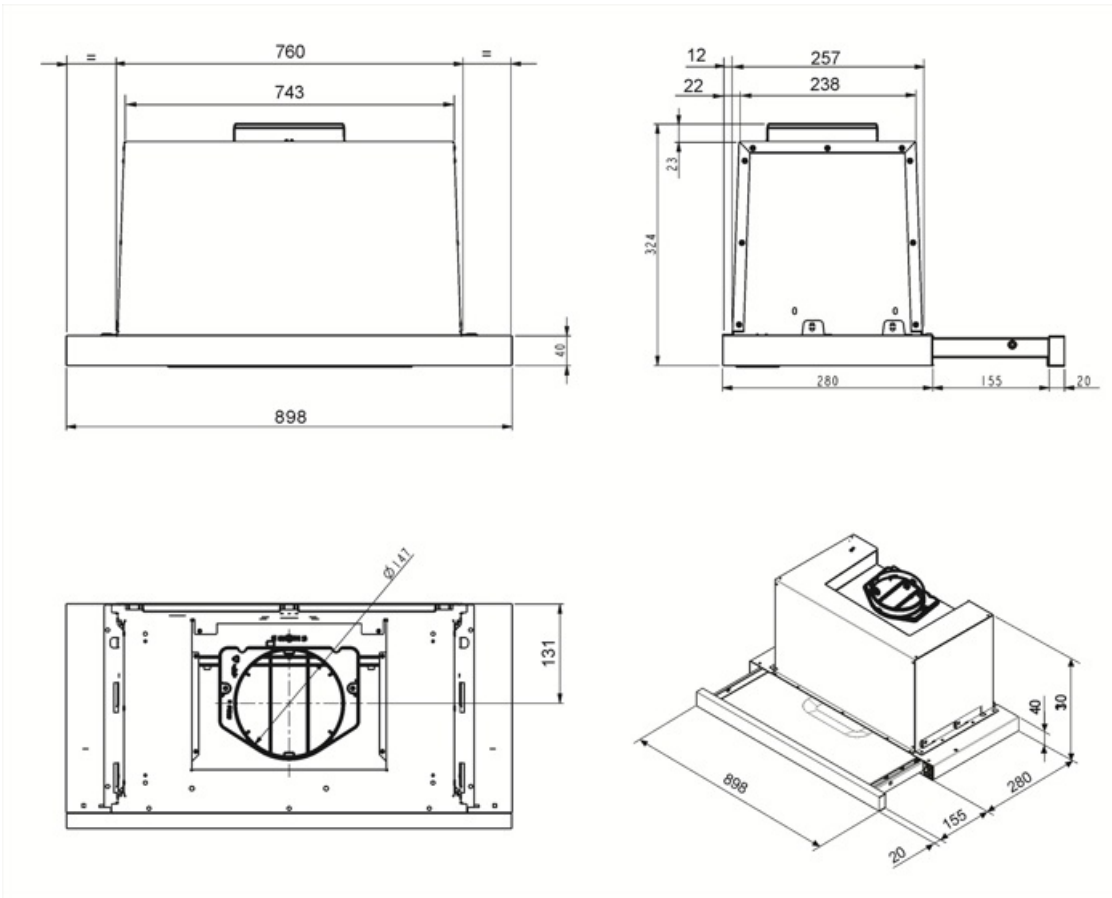
Performance / Energy Label



Annual Efficiency Consumption (AEC hood)	75 kWh/year	Airborne acoustical A-weighted sound Power Emission at minimum speed (SPEmin)	44 dBA
Energy efficiency class (EEC)	B	Airborne acoustical A-weighted sound Power Emission at maximum speed (SPEmax)	65 dBA
Fluid Dynamic Efficiency (FDE)	21	Time increase factor (F)	1,2
Fluid Dynamic Efficiency class (FDEC)	C	Energy Efficiency Index per first cavity	69,4
Lighting Efficiency (LE)	76,1 lux/W	Measured air flow rate at best efficiency point (Qbep)	352 m³/h
Lighting Efficiency Class (LEC)	A	Measured air pressure at best efficiency point (Qbep)	354 Pa
Grease Filtering Efficiency (GFE)	76 %	Measured electric power input at best efficiency point (Wbep)	165 W
Grease Filtering Efficiency Class (GFEC)	C	Normal Power of the light system (WI)	4 W
Air flow at minimum speed (Qmin)	240 m³/h	Average illumination of the light on the cooking surface (Emiddle)	304 lux
Maximum extraction rate	581 m³/h	Sound power level at highest setting (Lwa)	65 dBA

Electrical Connection

Nominal power	215 W	Frequency (Hz)	50-60 Hz
Voltage	220-240 V	Power supply cable length	1500 mm



Not included accessories



KITFC500

Round Charcoal filters (kit 2 pieces)

Symbols glossary



Filters: Model has filters to help remove grease from the steam emanating from the pans during cooking.



Lights: All cooker hoods feature lights to illuminate the cooking area or add to the ambience of the kitchen.

