

LFTG861D

Sink material	Stainless steel
Type	Welded sink
No. of bowls	1
Drainer	Right
EAN code	8017709282400



Aesthetics



Aesthetic	Universale	Building in type	Flat
Series	Mira	Logo	Embossed
Colour	Stainless steel	Tap hole / precut tap hole	2 Tapholes
Finishing	scotch Brite		

	Bowl type LH	Bowl thickness LH (mm)	Bowl dimensions LH, WxDxA (mm)	LH Bowl depth (mm)	Radius corner left bowl	Overflow LH bowl	Strainer position LH bowl	Strainer dimension LH bowl
LH Bowl	Minimum radius	1	450 x 400 x 200	200	15	Yes, flush fitted	Wall position	3.5"

Technical Features

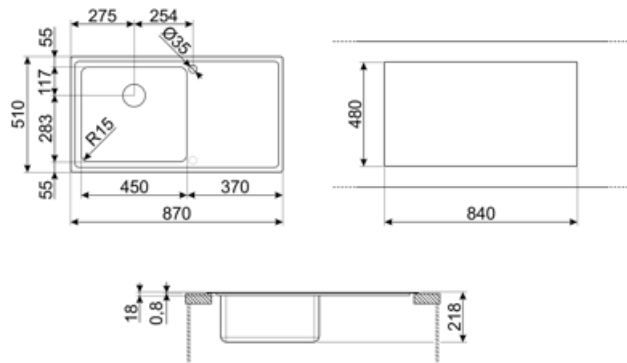


Frame thickness	0,7 mm	Tap hole diameter	35 mm
Frame depth (mm)	18	Popup command	Yes, single
Dimensions of the product (mm)	218x870x510 mm	Popup command type	Squared
Cutout dimension topmount (mm)	840 x 480 mm	Drainer inclination	2 °
Undermount cutout radius	5 mm	Gasket type	Sealing paste
Height from kitchen top	1 mm	No. of clips	10
Base unit size	60 cm	Type of clips	Standard
Tap hole	2	Possibility to install waste disposal	Yes

Accessories Included

Accessories for installation

Strainer, Savespace siphon with dishwasher outlet connection, Fixing clips, Gasket, Automatic pop - up with roudn rotary control



Not included accessories



3712

Siphon single bowl sinks (dishwasher connection included)



CB28QU

Single HPL chopping board for minimum radius, oak, measures 280 x 418 H 12 mm



COL19H

St/Steel colander to fit MINIMUM radius mm bowl, measures 200 x 410 x 100 mm



DB34

St/steel drain basket to fit STD radius 340 x 400 bowl, 180 mm depth



KITFD075

Waste disposal 0,75 HP, Motor: 1/2 horsepower, Fits all sinks with 3 1/2" waste outlet



KITSLTRND1

Bowl automatic pop up Rondò waste kit with rectangular overflow and round knob



CB25MN

Single HPE chopping board to fit minimum radius bowls, black matt, measures 250 x 410 H 12 mm, dishwasher safe



COL19

St/Steel colander to fit MINIMUM radius mm bowl, measures 200 x 410 x 26 mm



COL36

St/steel colander for MINIMUM radius bowls, measures 370 x 410 x 30 mm



KITFD050

Waste disposal 0,5 HP, Motor: 1/2 horsepower, Fits all sinks with 3 1/2" waste outlet



KITFD100

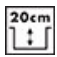
Waste disposal 1 HP, Motor: 1/2 horsepower, Fits all sinks with 3 1/2" waste outlet



STABMIX

Tap stabiliser

Symbols glossary

- | | | | |
|--|---|---|---|
|  | Cupboard width required for sink installation |  | Sink depth - depending on the model, the depth can be from 13 to 24,5 |
|  | Flat: Installation of product with flat edge. | | |

Benefit (TT)

One bowl

A single bowl for greater adaptability, capacity and space optimisation

Drainer

The drawer allows dishes, cutlery and kitchen utensils to be placed directly on the sink after washing: excess water can drain into the sink, allowing for natural drying

Double tap hole

The sink is easily reversible, making it possible to create any type of kitchen composition

Pop-up command

The pop-up command allows the sink drain to be opened and closed remotely with a simple gesture and without the need to touch the plug directly, increasing convenience and hygiene in the kitchen

Tap hole

Possibility of having the tap hole for direct installation of the tap on the sink, for a larger and neater surface area

Waste Kit

Possibility to install the waste disposal KITFD100 to easily dispose of organic waste, saving time and effort

The waste disposal is the ideal solution for a clean and sustainable kitchen: simple to use and compact, it disposes of food waste directly from the sink, reducing kitchen bad smells and improving hygiene