

# LYP102FR2

Sink material	Stainless steel
Sink type	Monoblock sink
No. of bowls	1 + 1/2
Drainer	Reversible
EAN code	8017709308193



## Aesthetics



<b>Aesthetics</b>	Universal	<b>Building in type</b>	Ultra-low profile
<b>Series</b>	Omni	<b>Logo</b>	Silk screen
<b>Colour</b>	Stainless steel	<b>Half bowl cup drainer</b>	Yes
<b>Finishing</b>	Pre-polished	<b>Tap hole / precut tap hole</b>	2 Tapholes

	Bowl type	Bowl thickness (mm)	Bowl dimensions, WxDxH (mm)	Bowl depth (mm)	Radius corner right bowl (mm)	Overflow LH bowl	Strainer position	Strainer dimension
RH Bowl	Half bowl	0.5	170 x 330 x 93	93	85		Centre of bowl	3.5"
LH Bowl	Traditional	0.5	342 x 380 x 163	163	74	Yes, traditional	Side bowl	3.5"

## Technical Features



<b>Frame thickness</b>	0,5 mm	<b>Dividing wall width</b>	40 mm
<b>Frame depth (mm)</b>	15	<b>Drainer inclination</b>	1 °
<b>Dimensions of the product WxDxH (mm)</b>	163x1000x500 mm	<b>Gasket type</b>	Sealing paste
<b>Cutout dimension (mm)</b>	975 x 475 mm	<b>Pre-assembled gasket</b>	Yes
<b>Cutout radius</b>	10 mm	<b>No. of clips</b>	8
<b>Height from kitchen top</b>	5 mm	<b>Type of clips</b>	Standard

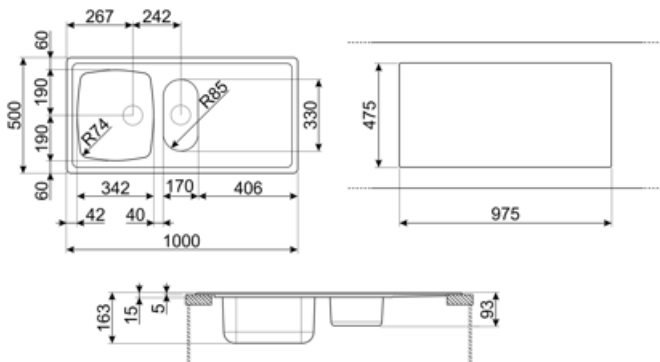
Base unit size

60 cm

## Accessories Included

### Accessories for installation

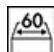




Strainer, Siphon save space with dishwasher outlet connection, Fixing clips, Pre-assembled gasket, Tap reinforcement, Blanking cap



---

## Symbols glossary

---

- |  |   |   |   |
|--|---|---|---|
|  | Cupboard width required for sink installation   |  | Sink depth  |
|  | Sink depth  |  | Ultra-low profile: Installation of product with flat edge - height of 1 mm. |
|  | Thanks to the double tap hole, most of our sinks are easily reversible, giving you the flexibility to make any type of kitchen composition. |   |   |

---

## Benefit

---

### **Two bowls**

Designed for versatility, the two-bowl configuration offers enhanced functionality, making kitchen tasks more efficient.

### **Drainer**

The drainer provides a convenient space for dishes, cutlery, and kitchen utensils to dry naturally by allowing excess water to flow directly into the sink.

### **Tap hole**

The sink offers the option of pre-cut tap holes, allowing for direct tap installation and creating a more spacious, streamlined surface.