

LYP861FR2

Sink material	Stainless steel
Sink type	Monoblock sink
No. of bowls	1
Drainer	Reversible
EAN code	8017709305857



Aesthetics



Aesthetics	Universal	Building in type	Standard
Series	Omni	Logo	Embossed
Colour	Stainless steel	Tap hole / precut tap hole	2 Tapholes
Finishing	Pre-polished		

	Bowl type LH	Bowl thickness LH (mm)	Bowl dimensions LH, WxDxA (mm)	LH Bowl depth (mm)	Radius corner left bowl	Overflow LH bowl	Strainer position LH bowl	Strainer dimension LH bowl
LH Bowl	Traditional	0.6	330 * 370 * 154	154	90	Yes, traditional	Side bowl	3.5"

Technical Features

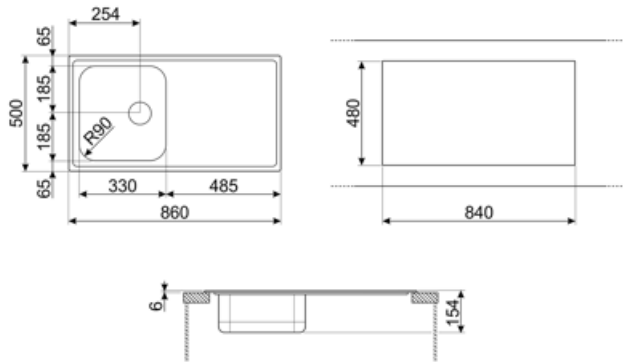


Frame thickness	0,6 mm	Tap hole diameter	35 mm
Frame depth (mm)	8	Dividing wall width	40 mm
Dimensions of the product WxDxH (mm)	154x860x500 mm	Drainer inclination	2 °
Cutout dimension (mm)	840 x 480 mm	Gasket type	Sealing paste
Height from kitchen top	6 mm	No. of clips	8
Base unit size	45 cm	Type of clips	Standard
Tap hole	Yes		

Accessories Included

Accessories for
installation

Strainer, Siphon save space
with dishwasher outlet
connection, Fixing clips,
Gasket, Blanking cap



Not included accessories



3712

Siphon single bowl sinks (dishwasher connection included)



KITDS

Soap dispenser Round knob



KITDSQ

Soap dispenser Square knob



KITFD050

Waste disposal 0,5 HP Motor: 1/2 horsepower Fits all sinks with 3 1/2" waste outlet



KITFD075

Waste disposal 0,75 HP Motor: 3/4 horsepower Fits all sinks with 3 1/2" waste outlet



KITFD100

Waste disposal 1 HP Motor: 1 horsepower Fits all sinks with 3 1/2" waste outlet



KITSLTRND1

Automatic pop pop (round knob) 1 bowl filo and standard overflow RND waste kit



KITSTR

Automatic pop pop (round knob) 1 bowl rectangular flat overflow



RND1V





Rondò waste kit 1 bowl with standard overflow



STABMIX

Tap brace

Symbols glossary

- | | | | |
|--|--|---|---|
|  | Cupboard width required for sink installation |  | Sink depth - depending on the model, the depth can be from 13 to 24,5 |
|  | Standard installation: Traditional installation in tabletop, suitable for any kitchen sets |  | Thanks to the double tap hole, most of our sinks are easily reversible, giving you the flexibility to make any type of kitchen composition. |

Benefit

One bowl

A single bowl for greater adaptability, capacity and space optimisation

Drainer

The drainer provides a convenient space for dishes, cutlery, and kitchen utensils to dry naturally by allowing excess water to flow directly into the sink.

Double tap hole

The sink is easily reversible, making it possible to create any type of kitchen composition

Tap hole

The sink offers the option of pre-cut tap holes, allowing for direct tap installation and creating a more spacious, streamlined surface.