

MAP99CR



Product Family	Taps
Material	Brass
Swivelling spout	Yes
Swivelling spout rotation	360 °



Aesthetics

Aesthetics	Universal	Handle for filtered water supply	Yes
Colour	Chrome	Jet type	Single jet
Finishing	Gloss	Aerator	Yes with double flow for filtered water
Spout type	L spout	Flexible hoses number	3
Tap type	Single lever filtered water		

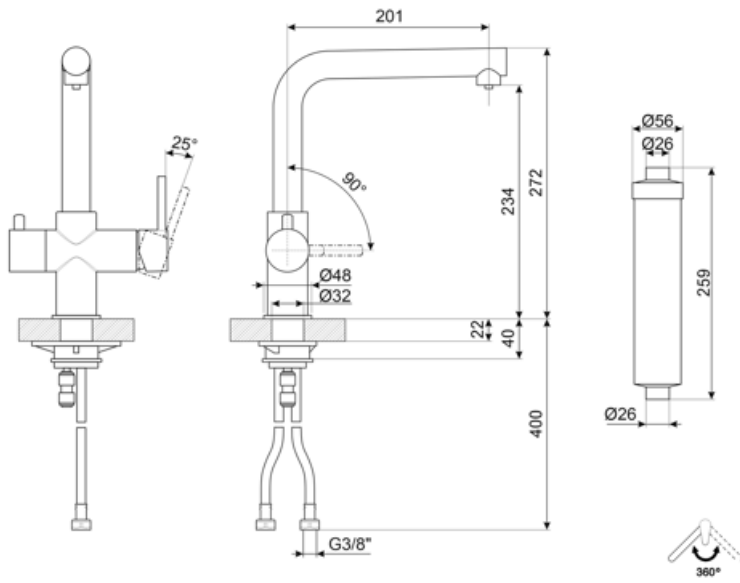
Technical Features



Characteristics	ESC	Water depuration filter type	FIAP 16007 - 1100l capacity
Flexible hoses lenght	360 mm	Maximum pressure	10 bar
Flexible hoses connection	3/8 "	Minimum pressure	0,5 bar
Ceramic disc cartridge type	35 Ø	Optimal pressure	3 bar
Filtered water cartridge type	20x1	Tap hole diameter	35 mm
Water depuration filter	Yes		

Logistic Information

Product Height (mm)	272 mm
---------------------	--------



Symbols glossary



ESC: with the ESC Energy Saving Cartridge system the control lever positioned in the middle dispenses only cold water, and not 50% of hot and 50% of cold. To obtain hot water, turn the lever further to the left. Thus the use does not operate the boiler.



Swivel spout rotation 360°

Benefit

Energy Saving Cartridge

Energy saving thanks to the special Energy Saving Cartridge (ESC) function

With the ESC function, the tap lever set in a central position supplies only cold water, instead of mixed cold and hot water as usual, saving in energy consumption. For hot water, the lever must be turned to the left

Spout rotation 360°

Filtered water

Pure and safe water directly from your kitchen tap for lower environmental impact

The water filtration system has a filtration degree of 0.5 microns and reduces dirt, rust and other particulate matter, reduces chlorine taste and odour, reduces mould, algae and parasitic protozoa, reduces lead and inhibits limescale accumulation in the water