

MI3MN



Product family	Taps
Material	Brass
Swivelling spout	Yes
Swivelling spout rotation	360 °



Aesthetics

Aesthetic	Universale	Tap type	Single lever
Colour	Black	Jet type	Single jet
Finishing	Matt black	Aerator	Yes
Spout type	U spout	Flexible hoses number	2

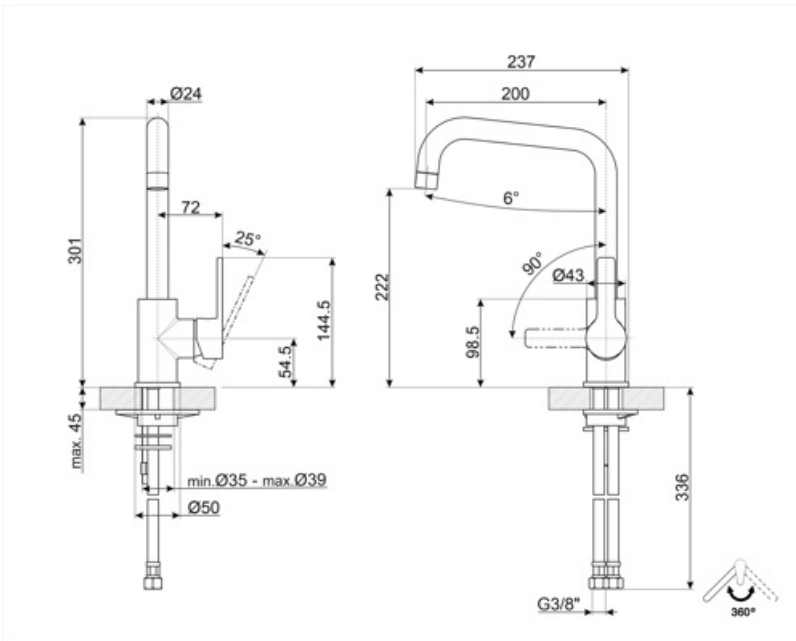
Technical Features



Characteristics	ESC	Maximum pressure	5 bar
Flexible hoses lenght	370 mm	Minimum pressure	1 bar
Flexible hoses connection	3/8 "	Optimal pressure	3 bar
Ceramic disc cartridge type	35 Ø	Tap hole diameter	35 mm

Logistic Information

Product height (mm)	301 mm
---------------------	--------



Not included accessories



STABMIX
Tap stabiliser

Symbols glossary



ESC: with the ESC Energy Saving Cartridge system the control lever positioned in the middle dispenses only cold water, and not 50% of hot and 50% of c



Swivel spout rotation 360°

Benefit (TT)

Energy Saving Cartridge

Energy saving thanks to the special Energy Saving Cartridge (ESC) function

With the ESC function, the tap lever set in a central position supplies only cold water, instead of mixed cold and hot water as usual, saving in energy consumption. For hot water, the lever must be turned to the left

Spout rotation 360°