

PX364L



Product Family	Hob
Built-in	Traditional
Dimensions	60 cm
Power supply	Gas
Type	Gas
EAN code	8017709252106



Aesthetics



Aesthetics	Classic
Colour	Stainless steel
Finishing	Brushed
Material	Stainless Steel
Type of steel	Brushed
Series	New
Pan stands	Cast iron
Burners	Smeg Contemporary
Burner Material	Aluminium
Type of control setting	Control knobs
Control knobs position	Front
No. of controls	4
Controls colour	Steel effect
Serigraphy colour	Black

Program / Functions

No. of gas cook zones	4
Total no. of cook zones	4

Options



Standard cut out	478-482x555-560 mm
------------------	--------------------

Technical Features

UR

Left - Gas - UR - 3.50 kW

Rear centre - Gas - Semi Rapid - 1.80 kW

Front centre - Gas - AUX - 1.10 kW

Right - Gas - Rapid - 2.60 kW

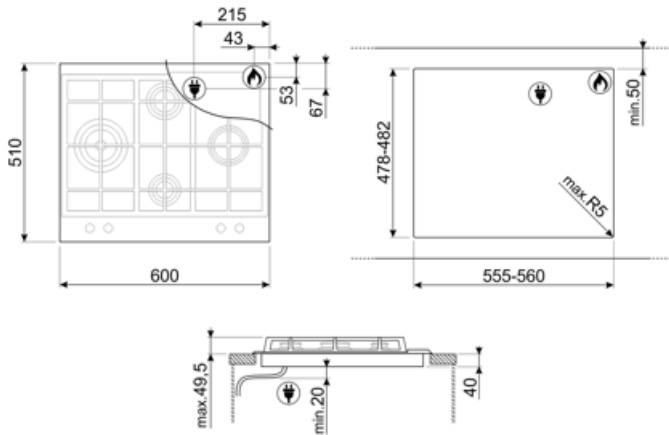
Gas safety valves Yes **Automatic Ignition** Yes

Electrical Connection

Nominal power (W)	1 W	Frequency (Hz)	50/60 Hz
Voltage (V)	220-240 V	Power supply cable length	120 cm
Type of electric cable	Single phase		

Gas Connection

Gas Type	G20 Natural gas	Other gas connections provided	Conical
Gas connection	Cilindrical	Gas connection rating (W)	9000 W
Other gas nozzles included	G30 GPL Liquid gas		



Not included accessories



GRW
Wok support



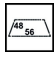




TPK
Stainless steel grill plate to cook
Teppanyaki dishes



WOKGHU
Cast-Iron WOK Support

Symbols glossary

- | | | | |
|--|--|---|---|
|  | Standard installation: Traditional installation in tabletop, suitable for any kitchen sets |  | Heavy duty cast iron pan stands: for maximum stability and strength. |
|  | CUT_OUT_STANDARD_72dpi |  | Ultra rapid burners: Powerful ultra rapid burners offer up to 5kw of power. |
|  | Knobs control | | |