

# PX364LMB



Product Family	Hob
Built-in	Traditional
Dimensions	60 cm
Power supply	Gas
Type	Gas
EAN code	8017709321611



## Aesthetics



Aesthetics	Classic
Colour	Matte Black
Finishing	Matte
Material	Enamelled
Series	New
Pan stands	Cast iron
Burners	Smeg Contemporary
Burner Material	Aluminium
Burner Coating	Black Ceram
Type of control setting	Control knobs
Control knobs position	Front
No. of controls	4
Controls colour	Matt Black
Serigraphy colour	Silver

## Program / Functions

No. of gas cook zones	4
Total no. of cook zones	4

## Options



Standard cut out	478-482x555-560 mm
------------------	--------------------

## Technical Features

**UR**

Left - Gas - UR - 3.50 kW

Rear centre - Gas - Semi Rapid - 1.80 kW

Front centre - Gas - AUX - 1.10 kW

Right - Gas - Rapid - 2.60 kW

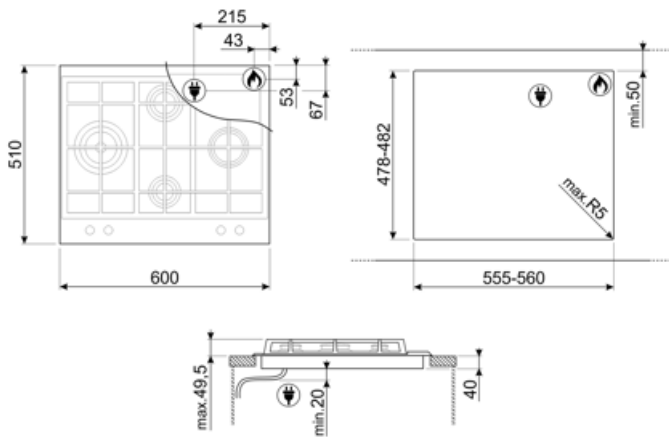
Gas safety valves                      Yes    **Automatic Ignition**                      Yes

## Electrical Connection

Nominal power (W)	1 W	Frequency (Hz)	50/60 Hz
Voltage (V)	220-240 V	Power supply cable length	120 cm
Type of electric cable	Single phase		

## Gas Connection

Gas Type	G20 Natural gas	Other gas connections provided	Conical
Gas connection	Cilindrical	Gas connection rating (W)	9000 W
Other gas nozzles included	G30 GPL Liquid gas		



---

## Not included accessories

---



**GRW**  
Wok support



**TPK**  
Stainless steel grill plate to cook  
Teppanyaki dishes




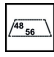



**WOKGHU**  
Cast-Iron WOK Support

---

## Symbols glossary

---

- |  |  |   |  |
|--|--|---|--|
|  | Standard installation: Traditional installation in tabletop, suitable for any kitchen sets |  | Heavy duty cast iron pan stands: for maximum stability and strength. |
|  | Knobs control  |  | CUT_OUT_STANDARD_72dpi   |
|  | Ultra rapid burners: Powerful ultra rapid burners offer up to 5kw of power.                |   |  |