

SR264XGH2



Product Family
Built-in
Dimensions
Power supply
Type
EAN code

Hob
Traditional
60 cm
Gas
Gas
8017709268367



Aesthetics



Aesthetics

Colour

Finishing

Material

Type of steel

Pan stands

Burners

Burner Material

Type of control setting

Control knobs position

No. of controls

Controls colour

Serigraphy colour

Cucina

Stainless steel

Brushed

Stainless Steel

Brushed

Cast iron

Smeg Contemporary

Aluminium

Control knobs

Front

4

Silver

Black

Program / Functions

No. of gas cook zones

4

Total no. of cook zones

4

Options



Standard cut out

478-482x555-560 mm

Technical Features

UR

Left - Gas - UR - 3.90 kW

Rear centre - Gas - Semi Rapid - 1.70 kW

Front centre - Gas - AUX - 1.10 kW

Right - Gas - Rapid - 2.60 kW

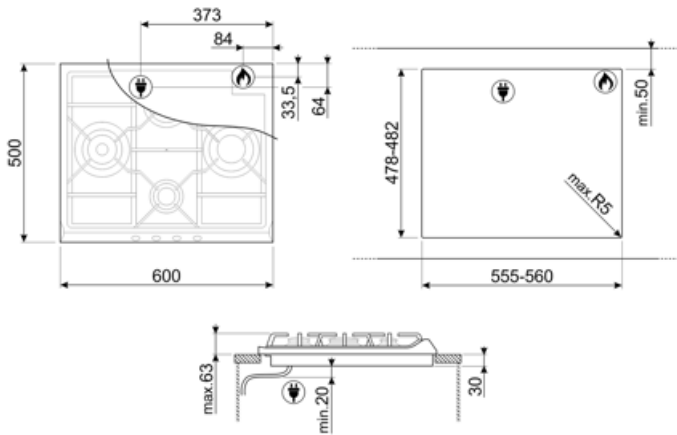
Gas safety valves Yes **Automatic Ignition** Yes

Electrical Connection




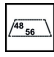

Nominal power (W)	1 W	Frequency (Hz)	50/60 Hz
Voltage (V)	220-240 V	Power supply cable length	120 cm
Type of electric cable	Single phase		

Gas Connection

Gas Type	G20 Natural gas	Other gas connections provided	Conical
Gas connection	Cilindrical	Gas connection rating (W)	9300 W
Other gas nozzles included	G30 GPL Liquid gas		



Symbols glossary

- | | | | |
|--|--|---|--|
|  | Standard installation: Traditional installation in tabletop, suitable for any kitchen sets |  | Heavy duty cast iron pan stands: for maximum stability and strength. |
|  | Knobs control |  | CUT_OUT_STANDARD_72dpi |
|  | Ultra rapid burners: Powerful ultra rapid burners offer up to 5kw of power. | | |