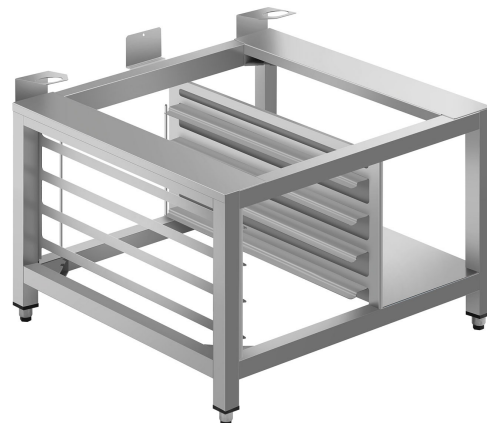


STDM

Family	Professional tables
Subfamily	Tables
Type	Oven support frame - 4 trays
Width	800 mm
Depth	750 mm
Height	500 mm
Net weight	17.000 kg
Suitable for	Combined ovens 5 GN1/1
Suitable for	Galileo combi oven series
EAN code	8017709323042



Galileo oven support frame - shelves for 4 trays

Colour Stainless steel

Construction

Pieces per pack	1	Material	Stainless steel
-----------------	---	----------	-----------------