

# UKFF08EW

Product Family	Freezers
Installation	Free Standing
Category	Under counter
Reference width	Until 60
Reference height	Until 100
Cooling type	Static
Hinge type	Standard
Hinge position	Right
Reversible door	Yes



## Aesthetics

Aesthetics	Universal	Handle type	Fixed
Colour	White	Side material	Metal
Design	Flat	Side colour	White
Material	Steel	Logo	Applied
Handle	External	Drawers profile colour	White

## Freezer compartment features

Number of drawers	3
-------------------	---

## Other Freezer features

Ice tray shelf	Yes
----------------	-----

## Other technical features

Freezer compartment accessories	Ice cube tray	Type of compressor	Standard
Type of temperature control	Electro-mechanical	Refrigerant Quantity (gr)	42 g
No. of compressors	1	Foam agent	Cyclopentane
Refrigerant gas type	R600a		

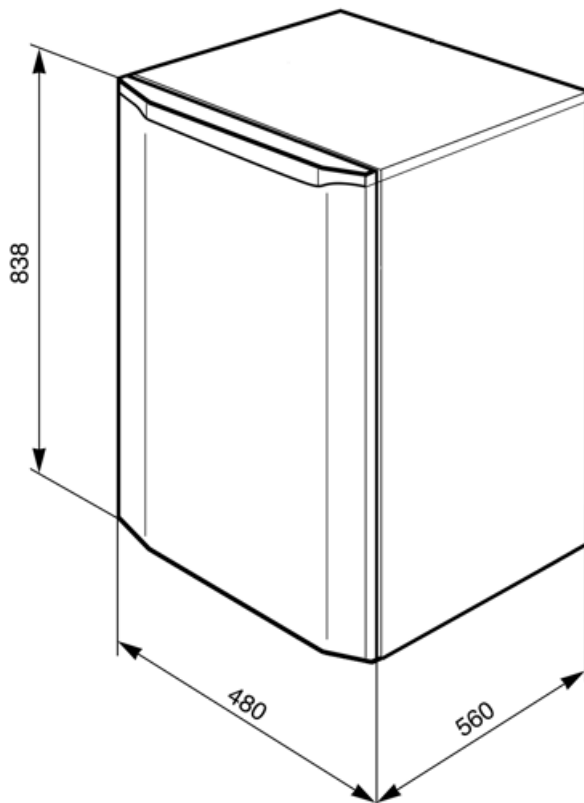
## Performance / Energy Label



<b>Annual energy consumption</b>	200 kWh/year	<b>Thaw time</b>	11 h
<b>Total volume</b>	63 l	<b>4 star - Freezing capacity</b>	3.3 Kg/24h
<b>Energy efficiency class</b>	E	<b>Climatic class</b>	SN, N, ST, T
<b>Airborne acoustical noise emission class</b>	C	<b>EEl</b>	100 %
<b>Sum of the volumes of the frozen compartment(s)</b>	64 l		

## Electrical Connection

<b>Plug</b>	(F;E) Schuko	<b>Voltage</b>	220-240 V
<b>Nominal power</b>	119 W	<b>Frequency (Hz)</b>	50 Hz
<b>Current</b>	0,76 A		



---

## Symbols glossary

---



4 stars freezing compartment for better food preservation.



Energy efficiency class E