

UM15

Sink material Stainless steel
Type Monoblock bowl
No. of bowls 1
EAN code 8017709209162



Aesthetics



Aesthetic Universale
Series Alba
Colour Stainless steel
Finishing Brushed
Building in type Undermount
Logo Not present

	Bowl type	Bowl dimensions, WxDxH (mm)	Bowl depth (mm)	Radius corner bowl	Strainer position	Strainer dimension
Bowl	Half bowl	147 x 296 x 150	150	50	Centre of bowl	3.5"

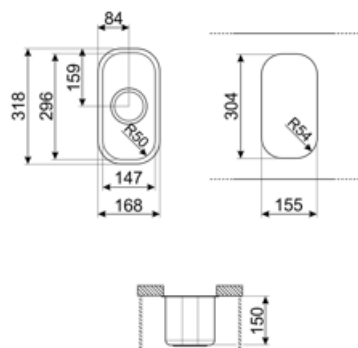
Technical Features



Dimensions of the product (mm) 150x318x168 mm
Tap hole diameter 35 mm
Cutout dimension undermount (mm) 155x304 mm
No. of clips 4
Type of clips Undermount clip
Base unit size 30 cm

Accessories Included

Accessories for installation Strainer, Fixing clips



Not included accessories



3712

Siphon single bowl sinks (dishwasher connection included)



KITFD050

Waste disposal 0,5 HP, Motor: 1/2 horsepower, Fits all sinks with 3 1/2" waste outlet



KITFD100

Waste disposal 1 HP, Motor: 1/2 horsepower, Fits all sinks with 3 1/2" waste outlet



3713




Siphon double bowls sinks (dishwasher connection included)



KITFD075

Waste disposal 0,75 HP, Motor: 1/2 horsepower, Fits all sinks with 3 1/2" waste outlet

Symbols glossary

- | | | | |
|--|---|---|---|
|  | Cupboard width required for sink installation |  | Sink depth - depending on the model, the depth can be from 13 to 24,5 |
|  | Under table top installation: The sink is fixed under tabletop, which extends the work surface and the depth of the sink. | | |

Benefit (TT)

One bowl

A single bowl for greater adaptability, capacity and space optimisation