

UM34

Materiaal	Inox
Type spoelbak	Enkel geperste spoelbak
Aantal spoelbakken	1
EAN-code	8017709064563



Design



Design	Universeel	Type inbouw	Onderbouw
Series	Alba	Logo	In reliëf
Kleur	Inox	Alternatieve kleuren	Zwart PVD roestvrijstaal, Koper PVD roestvrijstaal, Messing PVD roestvrijstaal
Afwerking	Geborsteld inox	Geperforeerde opening voor kraan	Geen geperforeerde opening voor kraan

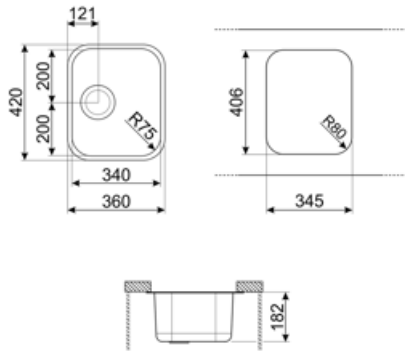
	Type spoelbak	Afmetingen spoelbak, BxHxD (mm)	Diepte spoelbak (mm)	Hoekradius spoelbak	Overloop spoelbak	Positie crepine spoelbak	Afmeting crepine
Spoelbak	Minimum radius	340 x 400 x 180	180	72	Ja, traditioneel	Zijkant spoelbak	8,89 cm

Technische specificaties



Afmetingen product (mm)	180x420x360 mm	Diameter kraangat	35 mm
Cutout dimension undermount (mm)	345.3*405.5 mm	Aantal haken	4
Afmeting inbouwmeubel	45 cm	Type haken	Onderbouw haken

Meegeleverde accessoires



Not included accessories



3712

Siphon single bowl sinks (dishwasher connection included)



3713

Siphon double bowls sinks (dishwasher connection included)



DB34

St/steel drain basket to fit STD radius
340 x 400 bowl, 180 mm depth



KITFD050

Waste disposal 0,5 HP, Motor: 1/2 horsepower, Fits all sinks with 3 1/2" waste outlet



KITFD075

Waste disposal 0,75 HP, Motor: 1/2 horsepower, Fits all sinks with 3 1/2" waste outlet



KITFD100

Waste disposal 1 HP, Motor: 1/2 horsepower, Fits all sinks with 3 1/2" waste outlet



RND1V

Rondò waste kit 1 bowl with standard overflow

Symbols glossary



Cupboard width required for sink installation



Sink depth - depending on the model, the depth can be from 13 to 24,5



Under table top installation: The sink is fixed under tabletop, which extends the work surface and the depth of the sink.

Benefit (TT)

One bowl

A single bowl for greater adaptability, capacity and space optimisation