

# UM40

Sink material Stainless steel  
 Type Monoblock bowl  
 No. of bowls 1  
 EAN code 8017709140199



## Aesthetics



<b>Aesthetic Series</b>	Universale	<b>Building in type</b>	Undermount
<b>Colour</b>	Alba	<b>Logo</b>	Embossed
<b>Finishing</b>	Stainless steel	<b>Alternative colours available</b>	Stainless steel PVD Black, Stainless steel PVD Copper, Stainless steel PVD Brass
	Brushed		

	Bowl type	Bowl dimensions, WxDxH (mm)	Bowl depth (mm)	Radius corner bowl	Overflow	Strainer position	Strainer dimension
Bowl	Minimum radius	400 x 340 x 180	180	75	Yes, traditional	Wall position	3.5"

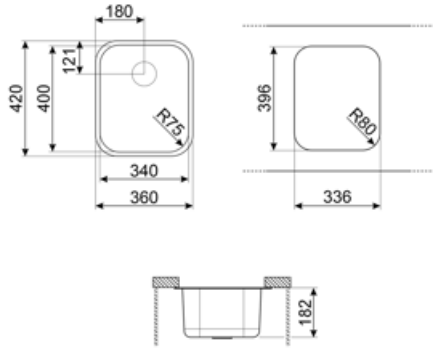
## Technical Features



<b>Dimensions of the product (mm)</b>	180x420x360 mm	<b>Tap hole diameter</b>	35 mm
<b>Cutout dimension undermount (mm)</b>	345.3*405.5 mm	<b>No. of clips</b>	4
<b>Base unit size</b>	45 cm	<b>Type of clips</b>	Undermount clip

## Accessories Included

**Accessories for installation** Strainer, Fixing clips



---

## Not included accessories

---



**3712**

Siphon single bowl sinks (dishwasher connection included)



**3713**

Siphon double bowls sinks (dishwasher connection included)



**DB34**

St/steel drain basket to fit STD radius  
340 x 400 bowl, 180 mm depth



**KITFD050**

Waste disposal 0,5 HP, Motor: 1/2 horsepower, Fits all sinks with 3 1/2" waste outlet



**KITFD075**

Waste disposal 0,75 HP, Motor: 1/2 horsepower, Fits all sinks with 3 1/2" waste outlet



**KITFD100**

Waste disposal 1 HP, Motor: 1/2 horsepower, Fits all sinks with 3 1/2" waste outlet



**RND1V**

Rondò waste kit 1 bowl with standard overflow

---

## Symbols glossary

---



Cupboard width required for sink installation



Sink depth - depending on the model, the depth can be from 13 to 24,5



Under table top installation: The sink is fixed under tabletop, which extends the work surface and the depth of the sink.

---

## Benefit (TT)

---

### **One bowl**

A single bowl for greater adaptability, capacity and space optimisation