

## UM45

Sink material	Stainless steel
Sink type	Single-pressed bowl
No. of bowls	1
EAN code	8017709064570



## Aesthetics



<b>Aesthetics</b>	Universal	<b>Building in type</b>	Undermount
<b>Series</b>	Alba	<b>Logo</b>	Embossed
<b>Colour</b>	Stainless steel	<b>Alternative colours available</b>	Stainless steel PVD Black, Stainless steel PVD Copper, Stainless steel PVD Brass
<b>Finishing</b>	Brushed		

	Bowl type	Bowl dimensions, WxDxH (mm)	Bowl depth (mm)	Radius corner bowl	Overflow	Strainer position	Strainer dimension
Bowl	Traditional	450 x 400 x 180	180	72	Yes, traditional	Side bowl	3.5"

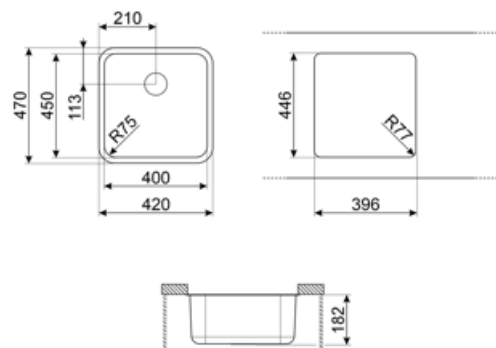
## Technical Features



<b>Dimensions of the product WxDxH (mm)</b>	180x470x420 mm	<b>Tap hole diameter</b>	35 mm
<b>Cutout dimension undermount (mm)</b>	396*446 mm	<b>No. of clips</b>	4
<b>Base unit size</b>	60 cm	<b>Type of clips</b>	Undermount clip

## Accessories Included

<b>Accessories for installation</b>	Strainer, Fixing clips
-------------------------------------	------------------------



---

## Not included accessories

---



**3712**

Siphon single bowl sinks (dishwasher connection included)



**3713**

Siphon double bowls sinks (dishwasher connection included)



**DB34**

Cestello in filo inox per abbinamento alle vasche di dimensione 340\*400 mm



**KITFD050**

Waste disposal 0,5 HP Motor: 1/2 horsepower Fits all sinks with 3 1/2" waste outlet



**KITFD075**

Waste disposal 0,75 HP Motor: 3/4 horsepower Fits all sinks with 3 1/2" waste outlet



**KITFD100**

Waste disposal 1 HP Motor: 1 horsepower Fits all sinks with 3 1/2" waste outlet



**RND1V**

Rondò waste kit 1 bowl with standard overflow

---

## Symbols glossary

---



Cupboard width required for sink installation



Sink depth - depending on the model, the depth can be from 13 to 24,5



Under table top installation: The sink is fixed under tabletop, which extends the work surface and the depth of the sink.

---

## Benefit

---

### **One bowl**

A single bowl for greater adaptability, capacity and space optimisation