

VFU34SFR

| | |
|--------------------|-------------------------|
| Materiaal | Inox |
| Type spoelbak | Enkel geperste spoelbak |
| Aantal spoelbakken | 1 |
| EAN-code | 8017709304638 |



Design



| | | | |
|------------------|-----------------|---|---------------------------------------|
| Design | Universeel | Type inbouw | Vlak opbouw, Plat , Onderbouw |
| Series | Mira | Logo | In reliëf |
| Kleur | Inox | Geperforeerde opening voor kraan | Geen geperforeerde opening voor kraan |
| Afwerking | Geborsteld inox | | |

| | Type spoelbak | Afmetingen spoelbak, BxHxD (mm) | Diepte spoelbak (mm) | Hoekradius spoelbak | Overloop spoelbak | Positie crepine spoelbak | Afmeting crepine |
|----------|----------------|---------------------------------|----------------------|---------------------|-------------------|--------------------------|------------------|
| Spoelbak | Minimum radius | 340 x 400 x 200 | 200 | 15 | Ja, verzonken | Wandkap | 8,89 cm |

Technische specificaties

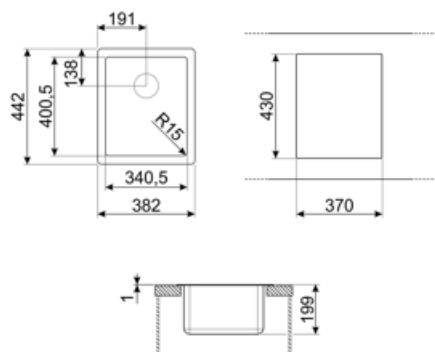


| | | | |
|---|----------------|------------------------------|----------------------------|
| Afmetingen product (mm) | 200x382x442 mm | Hoogte vanaf werkblad | 1 mm |
| Afmetingen nis (mm) | 370*430 mm | Afmeting inbouwmeubel | 45 cm |
| Cutout dimension undermount (mm) | 344*404 mm | Aantal haken | 4 |
| Uitsnij radius | 17 mm | Type haken | Standard + undermount clip |

Meegeleverde accessoires

Accessoires voor
installatie inbegrepen

Crepine, Sifon met
vaatwasseraansluiting,
Montagehaken, Silicone



Not included accessories



3712

Siphon single bowl sinks (dishwasher connection included)



CB25MN

Single HPE chopping board to fit minimum radius bowls, black matt, measures 250 x 410 H 12 mm, dishwasher safe



COL19H

St/Steel colander to fit MINIMUM radius mm bowl, measures 200 x 410 x 100 mm



DB34

St/steel drain basket to fit STD radius 340 x 400 bowl, 180 mm depth



KITFD050

Waste disposal 0,5 HP, Motor: 1/2 horsepower, Fits all sinks with 3 1/2" waste outlet



KITFD100

Waste disposal 1 HP, Motor: 1/2 horsepower, Fits all sinks with 3 1/2" waste outlet



3713

Siphon double bowls sinks (dishwasher connection included)



COL19

St/Steel colander to fit MINIMUM radius mm bowl, measures 200 x 410 x 26 mm



COL36

St/steel colander for MINIMUM radius bowls, measures 370 x 410 x 30 mm



KITDS

Soap dispenser chrome finishing with round knob



KITFD075


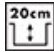



Waste disposal 0,75 HP, Motor: 1/2 horsepower, Fits all sinks with 3 1/2" waste outlet



RND1V

Rondò waste kit 1 bowl with standard overflow

Symbols glossary

- | | | | |
|--|---|---|---|
|  | Cupboard width required for sink installation |  | Sink depth - depending on the model, the depth can be from 13 to 24,5 |
|  | Flat: Installation of product with flat edge. |  | Flush-fitted installation: Models of sinks/hobs which are integrated flush with the tabletop of a kitchen unit. |
|  | Under table top installation: The sink is fixed under tabletop, which extends the work surface and the depth of the sink. | | |

Benefit (TT)

One bowl

A single bowl for greater adaptability, capacity and space optimisation