

# VR12S50RS

Sink material Stainless steel  
 Type Welded bowl  
 No. of bowls 1  
 EAN code 8017709308155



## Aesthetics



<b>Aesthetic</b>	Universale	<b>Building in type</b>	Flush fitted, Flat
<b>Series</b>	Mira	<b>Logo</b>	Embossed
<b>Colour</b>	Stainless steel	<b>Tap hole / precut tap hole</b>	2 Tapholes
<b>Finishing</b>	Brushed		

	Bowl type	Bowl dimensions, WxDxH (mm)	Bowl depth (mm)	Radius corner bowl	Overflow	Strainer position	Strainer dimension
Bowl	Minimum radius	500 x 400 x 200	200	12	Yes, flush fitted	Wall position	3.5"

## Technical Features



<b>Dimensions of the product (mm)</b>	201x550x510 mm	<b>Tap hole diameter</b>	35 mm
<b>Cutout dimension topmount (mm)</b>	535*495 mm	<b>Popup command</b>	Yes, single
<b>Height from kitchen top</b>	1 mm	<b>Popup command type</b>	Push
<b>Base unit size</b>	60 cm	<b>No. of clips</b>	10
<b>Tap hole</b>	2	<b>Type of clips</b>	Standard

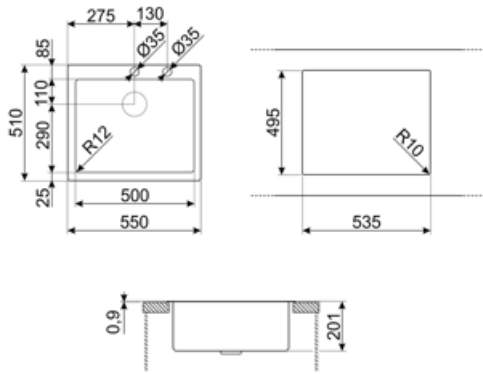
## Accessories Included



Accessories for installation

Strainer, Savespace siphon with dishwasher outlet connection, Fixing clips

Integrated flush waste kit Yes



---

## Not included accessories

---



### CB25MN

Single HPE chopping board to fit minimum radius bowls, black matt, measures 250 x 410 H 12 mm, dishwasher safe



### COL19

St/Steel colander to fit MINIMUM radius mm bowl, measures 200 x 410 x 26 mm



### COL36

St/steel colander for MINIMUM radius bowls, measures 370 x 410 x 30 mm



### CB28QU

Single HPL chopping board for minimum radius, oak, measures 280 x 418 H 12 mm



### COL19H

St/Steel colander to fit MINIMUM radius mm bowl, measures 200 x 410 x 100 mm



### KITPUSH

1 Bowl automatic pop up in AISI304 with push button ONLY for integrated waste kit bowls R12

---

## Symbols glossary

---



Cupboard width required for sink installation



Flat: Installation of product with flat edge.



A unique waste kit totally integrated with the sink gives an elegant effect and guarantees greater hygiene with the continuous surface allowing you to combine convenience with total safety during the food preparation. The new plug design is ergonomic and it's easier to extract.



Sink depth - depending on the model, the depth can be from 13 to 24,5



Flush-fitted installation: Models of sinks/hobs which are integrated flush with the tabletop of a kitchen unit.



On this sink it is not possible to install the waste disposal

## Benefit (TT)

---

### **One bowl**

A single bowl for greater adaptability, capacity and space optimisation

### **Double tap hole**

The sink is easily reversible, making it possible to create any type of kitchen composition

### **Pop-up command**

The pop-up command allows the sink drain to be opened and closed remotely with a simple gesture and without the need to touch the plug directly, increasing convenience and hygiene in the kitchen

### **Pop-up command push**

Attractive and modern pop-up command with push control for greater convenience in the kitchen

With the practical automatic pop-up kit with push control included, one touch is all it takes to control the movement of the drain, which opens and closes automatically ensuring greater convenience and hygiene

### **Tap hole**

Possibility of having the tap hole for direct installation of the tap on the sink, for a larger and neater surface area

### **Integrated flush waste kit**

Integrated flush waste kit to maximise the efficiency of your kitchen

The fully integrated flush waste kit in stainless steel guarantees hygiene and safety during food preparation as well as giving the sink an elegant appearance