

## VSTR18-2

Materiaal	Inox
Type spoelbak	Enkel geperste spoelbak
Aantal spoelbakken	3/4
EAN-code	8017709190538



## Design



Design	Universeel	Afwerking	Geborsteld inox
Series	Mira	Type inbouw	Onderbouw
Kleur	Inox	Geperforeerde opening voor kraan	Geen geperforeerde opening voor kraan

	Type spoelbak	Afmetingen spoelbak, BxHxD (mm)	Diepte spoelbak (mm)	Hoekradius spoelbak	Overloop spoelbak	Positie crepine spoelbak	Afmeting crepine
Spoelbak	Spoelbakje	180 x 340 x 156	156	15	Ja, verzonken	Centrale spoelbak	8,89 cm

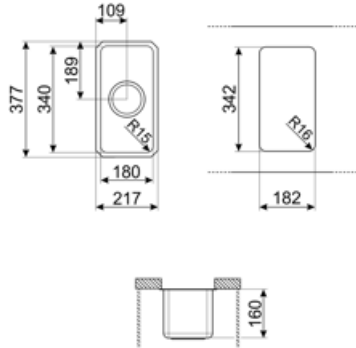
## Technische specificaties



Afmetingen product (mm)	156x380x220 mm	Diameter kraangat	35 mm
Cutout dimension undermount (mm)	182*342 mm	Aantal haken	4
Afmeting inbouwmeubel	45 cm	Type haken	Onderbouw haken

## Meegeleverde accessoires

Accessoires voor installatie inbegrepen	Crepine, Montagehaken
---	-----------------------



---

## Not included accessories

---



**3712**

Siphon single bowl sinks (dishwasher connection included)



**KITFD050**

Waste disposal 0,5 HP, Motor: 1/2 horsepower, Fits all sinks with 3 1/2" waste outlet



**KITFD100**

Waste disposal 1 HP, Motor: 1/2 horsepower, Fits all sinks with 3 1/2" waste outlet



**3713**

Siphon double bowls sinks (dishwasher connection included)



**KITFD075**

Waste disposal 0,75 HP, Motor: 1/2 horsepower, Fits all sinks with 3 1/2" waste outlet






**RND1V**

Rondò waste kit 1 bowl with standard overflow

---

## Symbols glossary

---

- |  |   |   |   |
|--|---|---|---|
|  | Cupboard width required for sink installation   |  | Sink depth - depending on the model, the depth can be from 13 to 24,5 |
|  | Under table top installation: The sink is fixed under tabletop, which extends the work surface and the depth of the sink. |   |   |